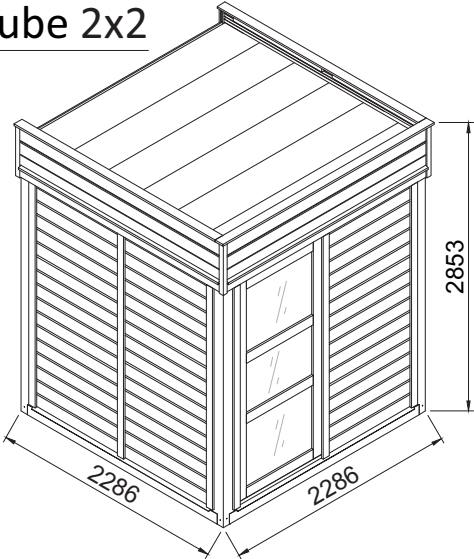
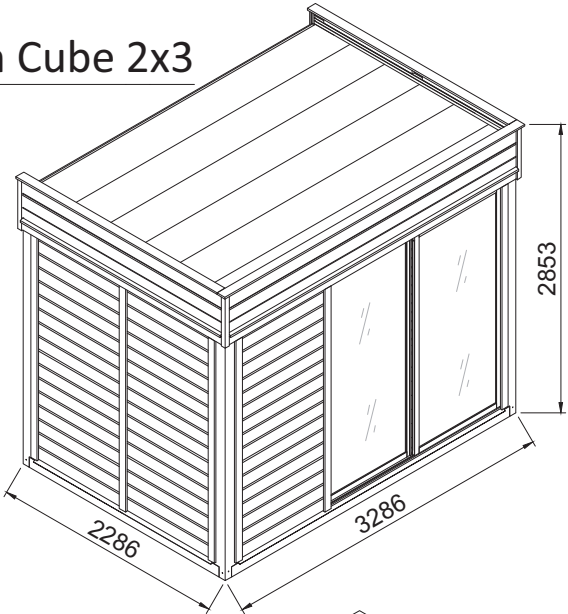


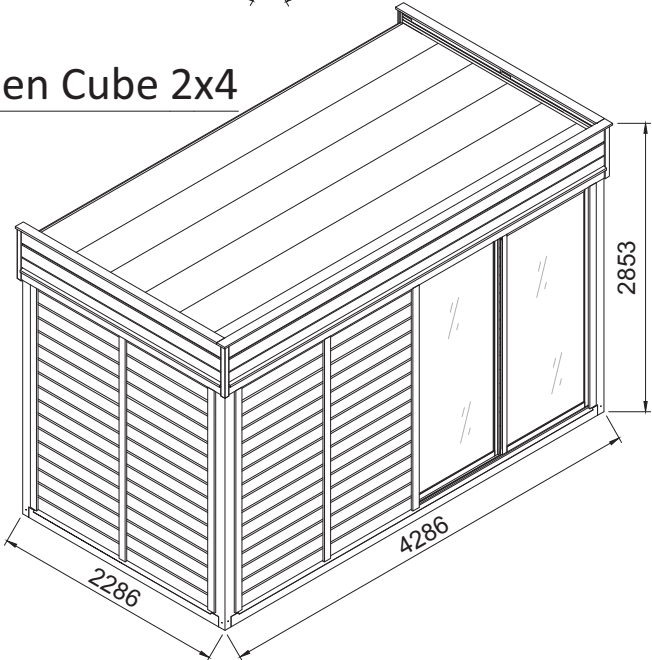
Cube-Garden Cube 2x2



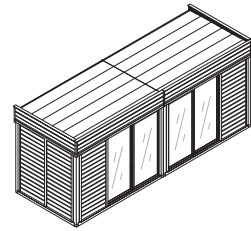
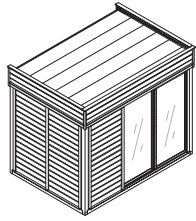
Cube-Garden Cube 2x3



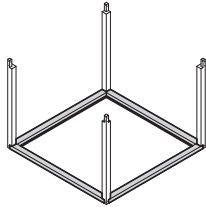
Cube-Garden Cube 2x4



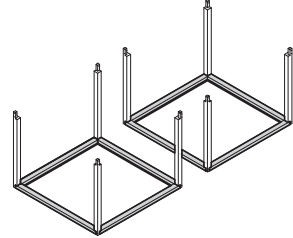
Stages of assembly



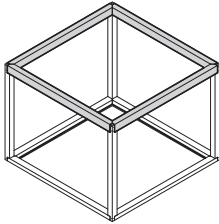
1. Step:
Floor beams
with columns



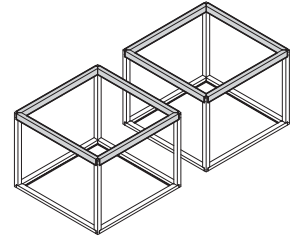
1. Step:
Floor beams
with columns



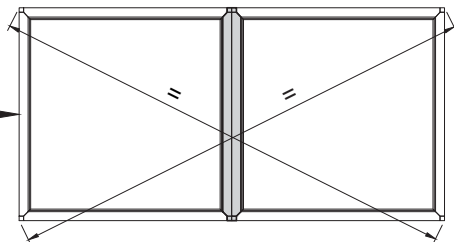
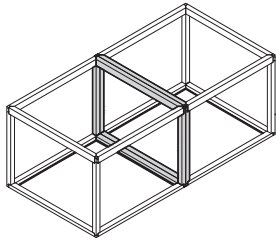
2. Step:
Roof beams



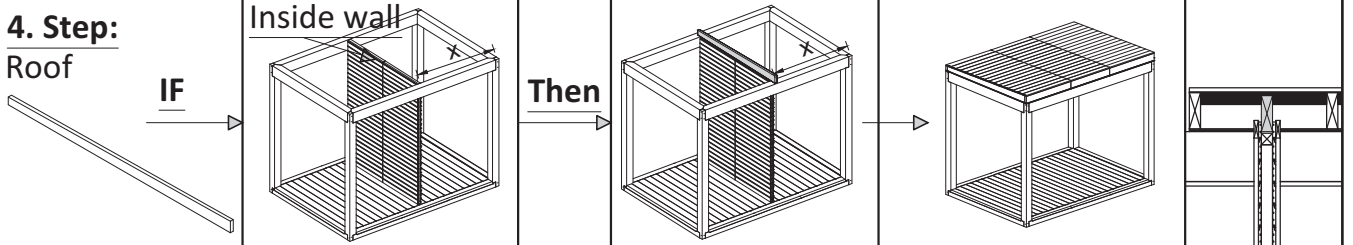
2. Step:
Roof beams



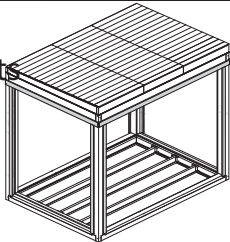
3. Step:
Join beams



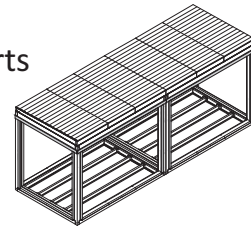
4. Step:
Roof



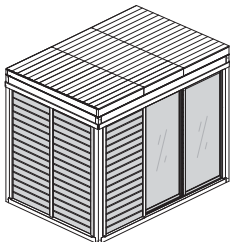
5. Step:
Walls supports



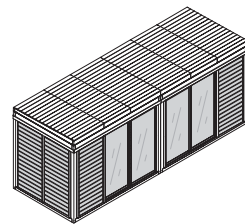
5. Step:
Walls supports



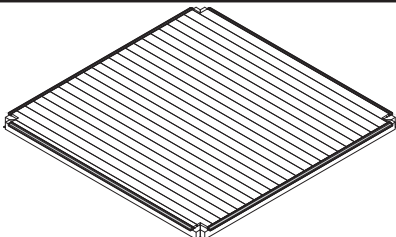
6. Step:
Walls



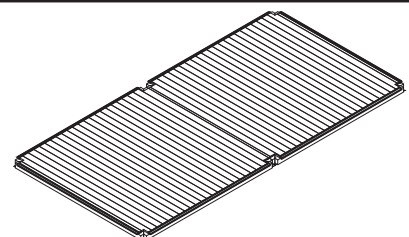
6. Step:
Walls



7. Step:
Floor



7. Step:
Floor



Cube-Garden Cube 3x2/3x3/3x4

It is very important to have a proper foundation.

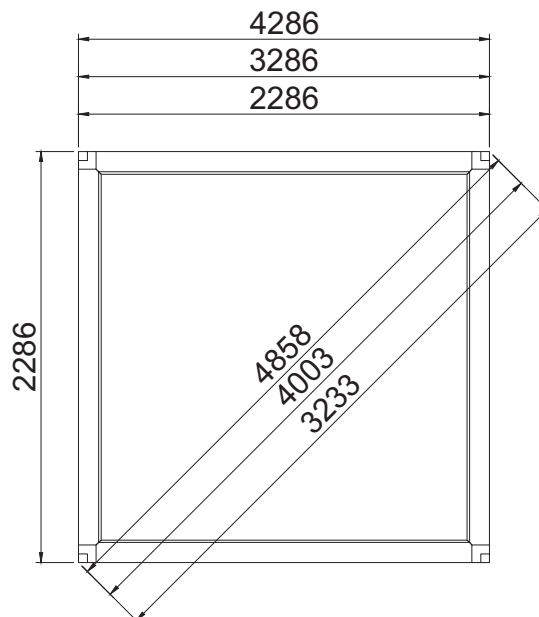
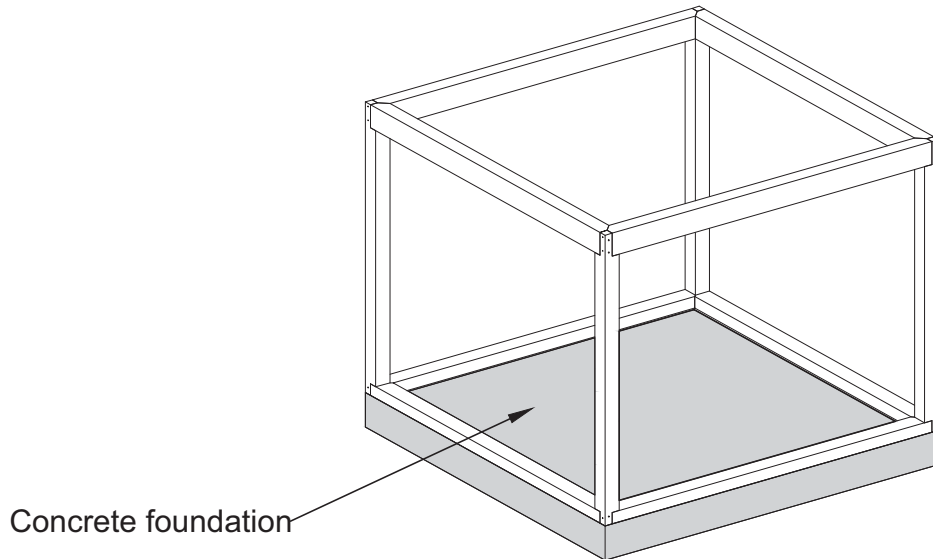
Therefore we recommend making the foundation according to the sketches here. First of all, foundation must be prepared according to the landscape and ground conditions.

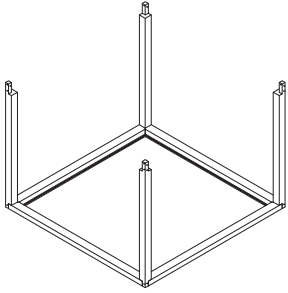
The foundation under the product must be prepared specially, it must be homogeneous, tight and equal. It must be ensured that it will not change its properties. We recommend using concrete foundation. Before installation of product, we recommend to make hydro isolation of foundation.

Consult a local qualified builder or an engineer to prepare a proper foundation, which fits to your location.

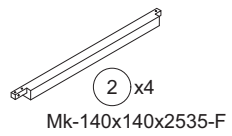
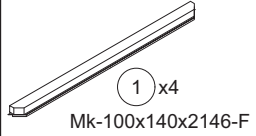
Due to improper foundation, cracks in the structures may occur. Due to uneven product seating, the geometric shape of the product may change, which can result in door / window twist, or/and gap may appear. And in the worst case product's collapse.

If you do not follow recommendation, product will lose its warranty.

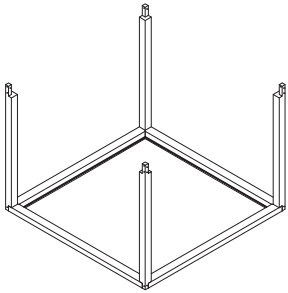




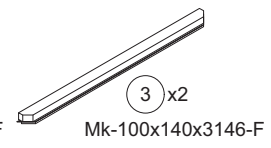
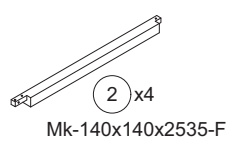
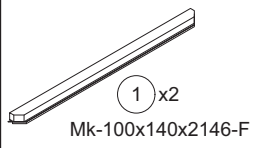
1. Cube-Garden Cube 2x2 Frame



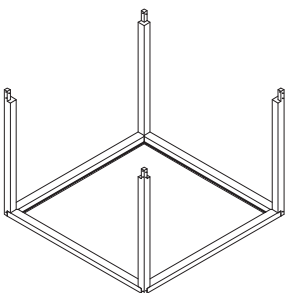
OR



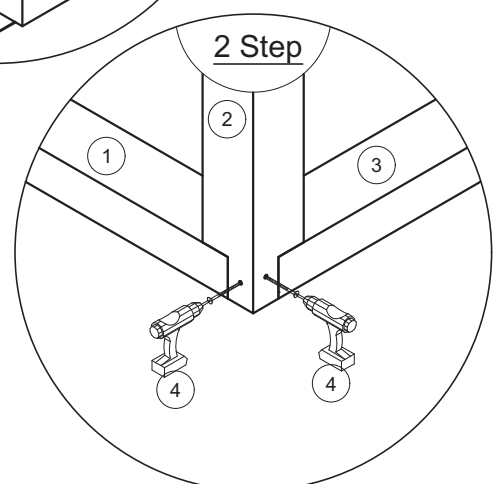
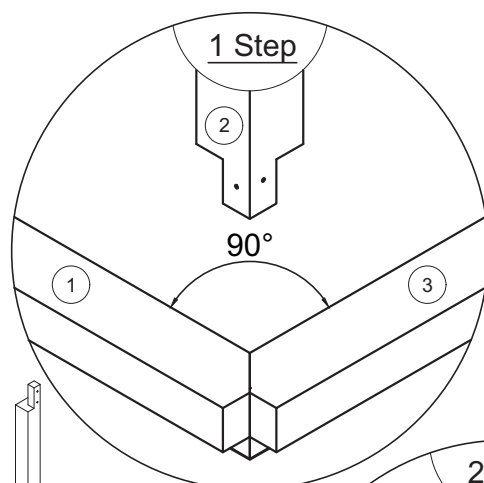
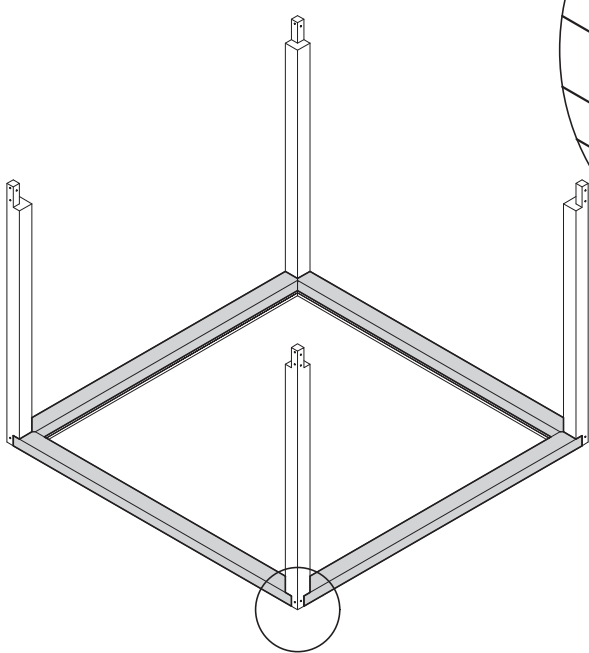
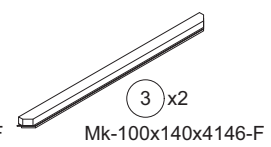
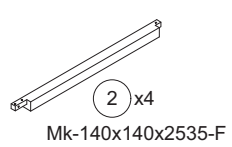
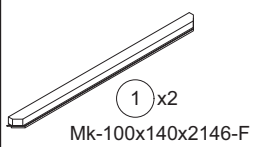
1. Cube-Garden Cube 2x3 Frame

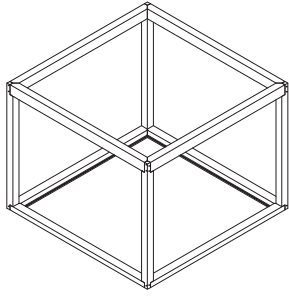


OR

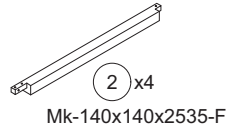
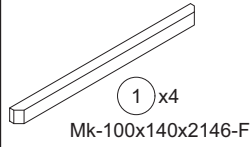


1. Cube-Garden Cube 2x4 Frame

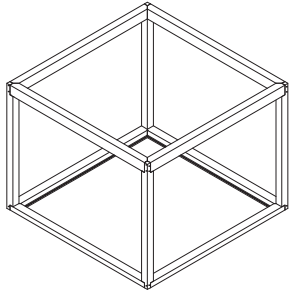




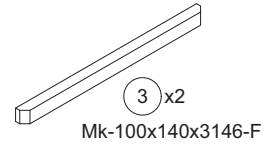
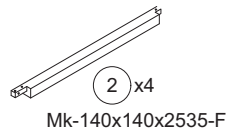
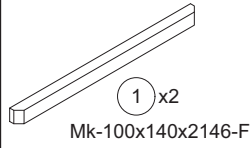
2. Cube-Garden Cube 2x2 TOP FRAME



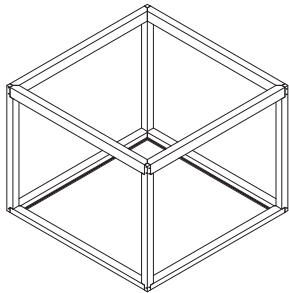
OR



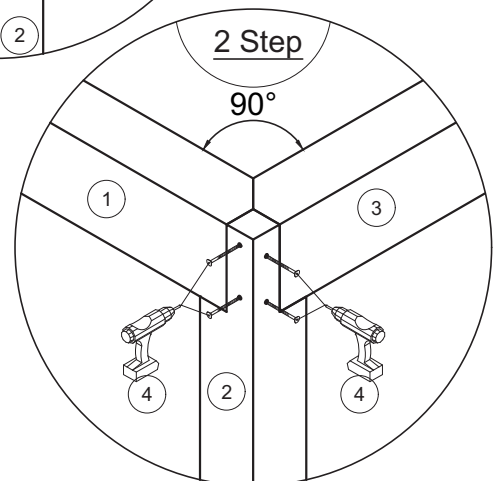
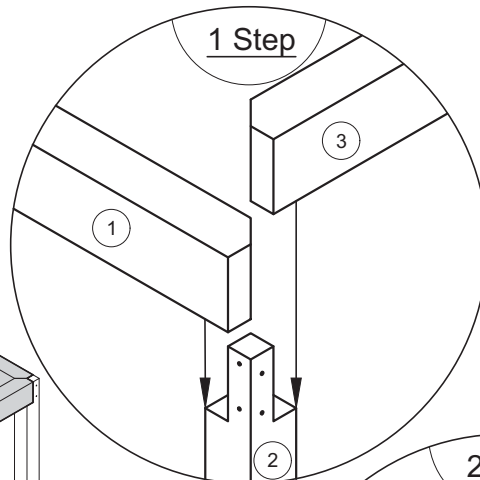
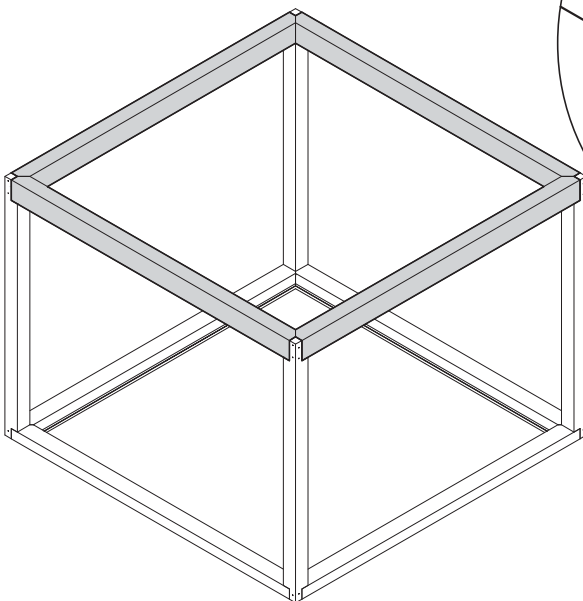
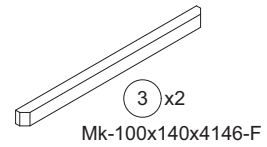
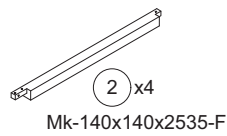
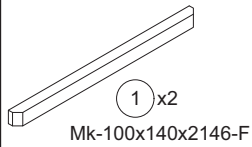
2. Cube-Garden Cube 2x3 TOP FRAME

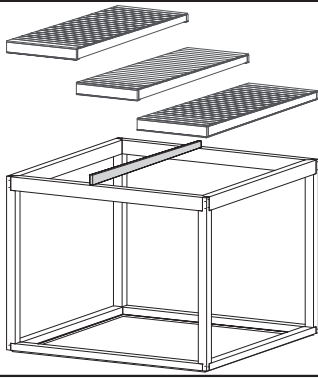


OR

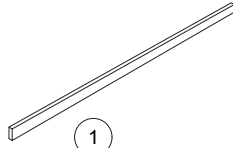


2. Cube-Garden Cube 2x4 TOP FRAME





3. Cube-Garden Cube 2x2/2x3/2x4 ROOF



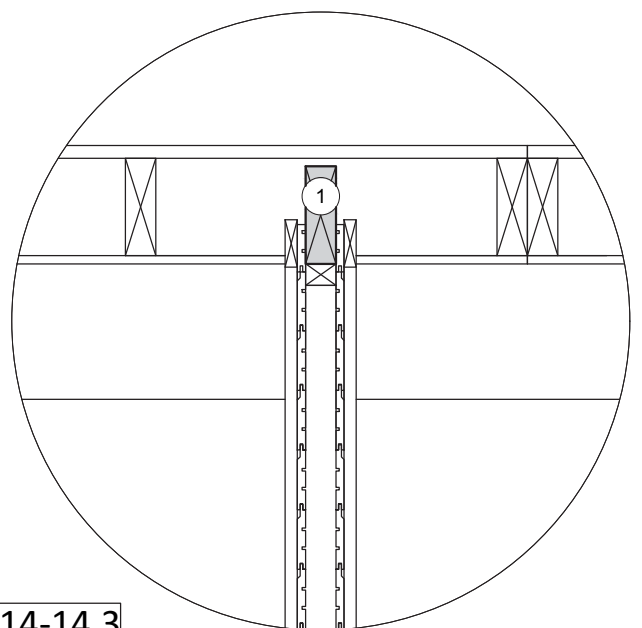
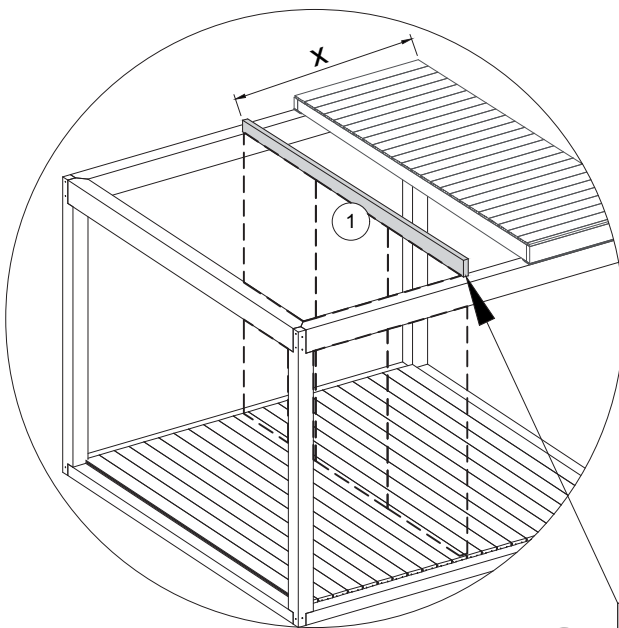
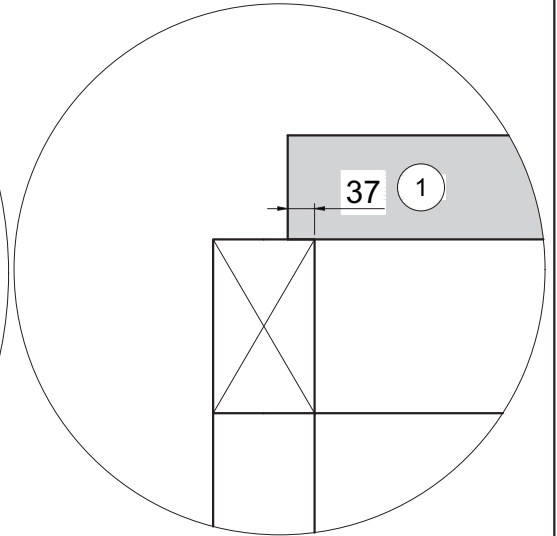
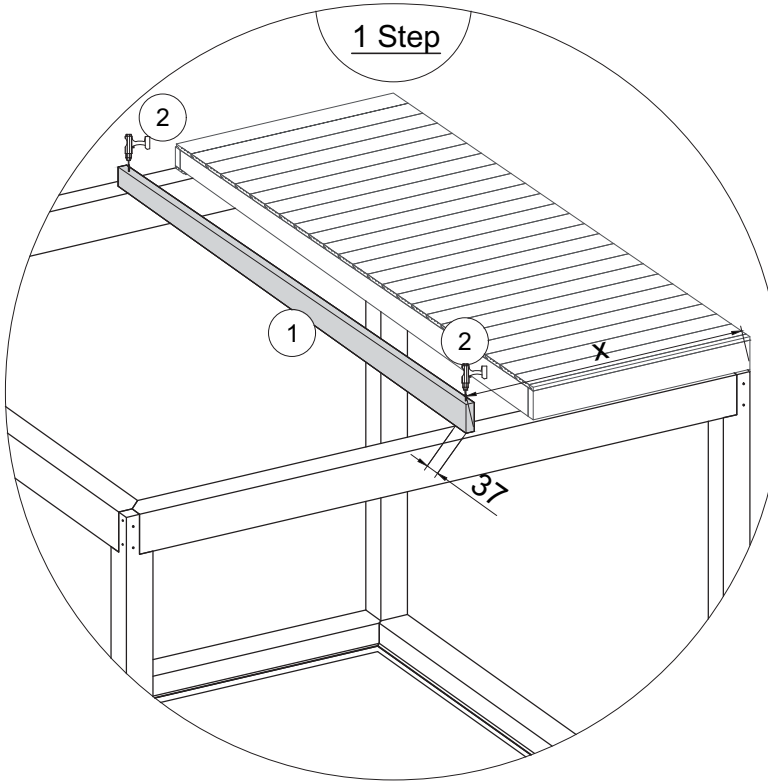
M-45x142x2080-F



x2

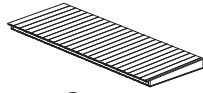
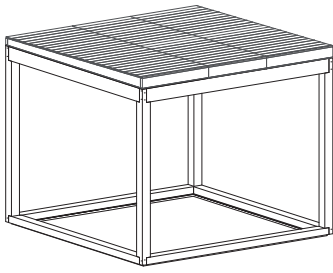
T-GC-8x200

1 Step



14-14.3

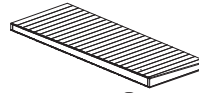
3.1 Cube-Garden Cube 2x2 ROOF



①

C-2x2-stog-1223x2285-(K)

C-I-2x2-stog-1223x2285-(K)



②

C-2x2-stog-1223x2285-(D)

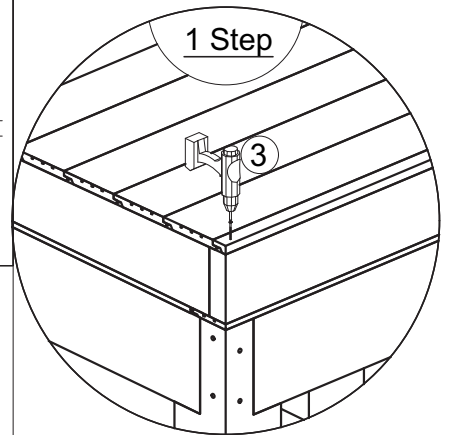
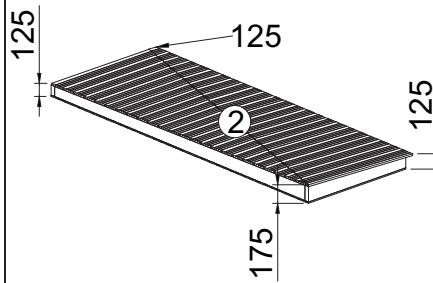
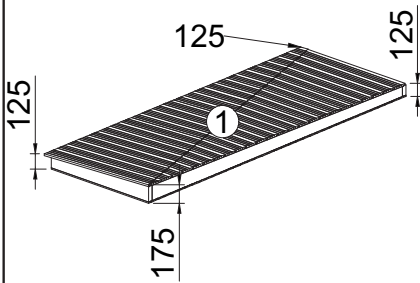
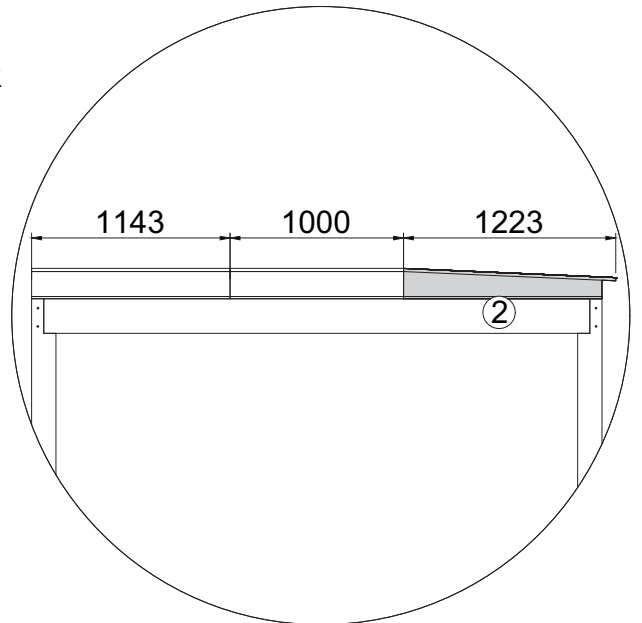
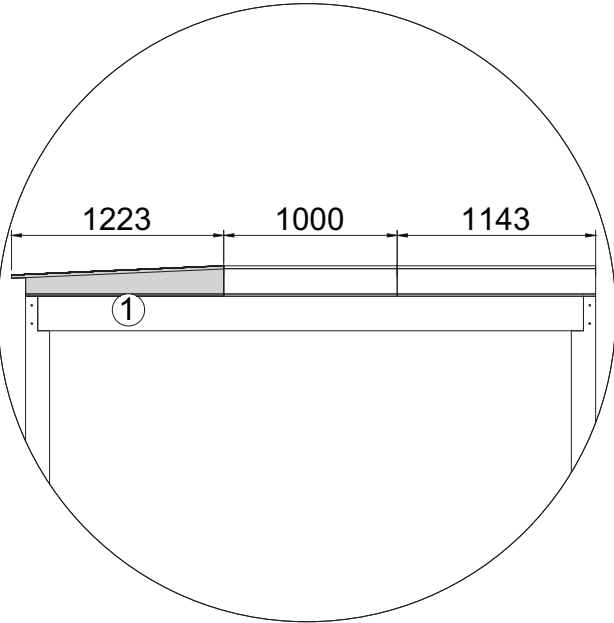
or
C-I-2x2-stog-1223x2285-(D)



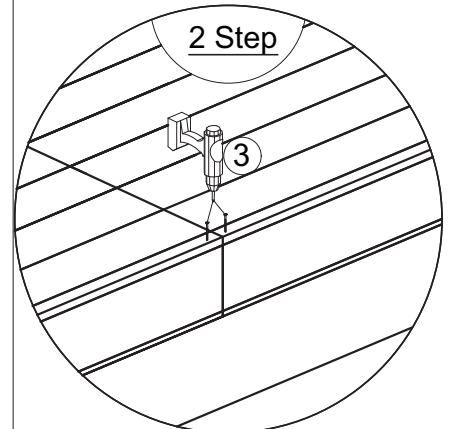
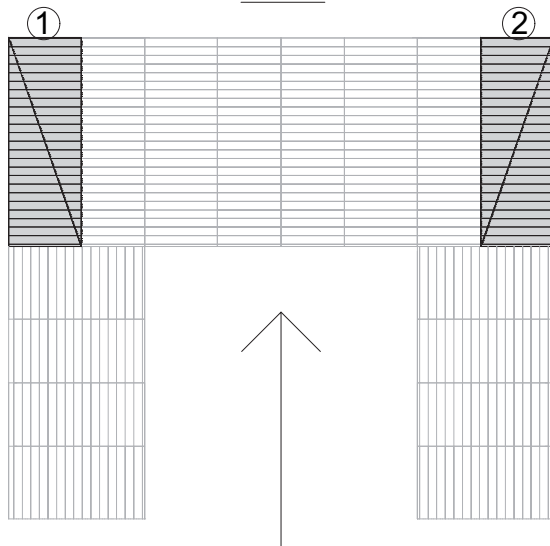
③

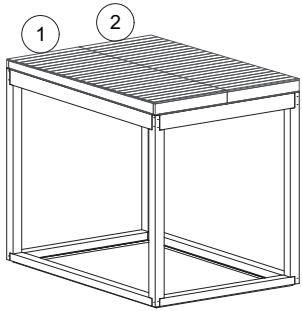
T-GC-8x200

OR

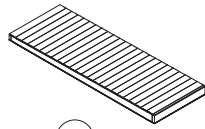


Plan



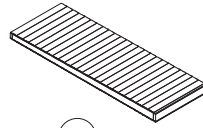


3.2 Cube-Garden Cube 2x2 ROOF



① x1

C-2x2-stog-1143x2285-(k)
or
C-I-2x2-stog-1143x2285-(k)



② x1

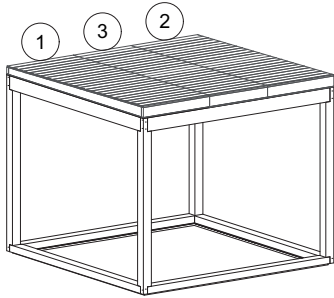
C-2x2-stog-1143x2285-(d)
or
C-I-2x2-stog-1143x2285-(d)



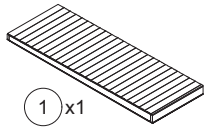
④ x12

T-GC-8x200

OR

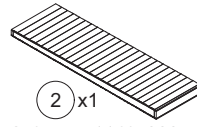


3.2 Cube-Garden Cube 2x3 ROOF



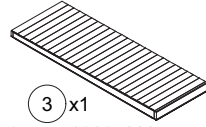
① x1

C-2x3-stog-1143x2285-(k)
or
C-I-2x3-stog-1143x2285-(k)



② x1

C-2x3-stog-1143x2285-(d)
or
C-I-2x3-stog-1143x2285-(d)



③ x1

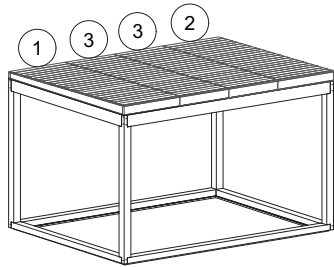
C-2x3-stog-1000x2285
or
C-I-2x3-stog-1000x2285



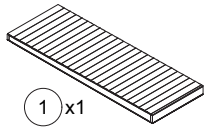
④ x15

T-GC-8x200

OR

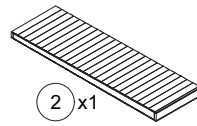


3.2 Cube-Garden Cube 2x4 ROOF



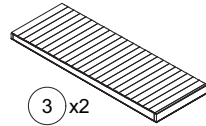
① x1

C-2x4-stog-1143x2285-(k)
or
C-I-2x4-stog-1143x2285-(k)



② x1

C-2x4-stog-1143x2285-(d)
or
C-I-2x4-stog-1143x2285-(d)



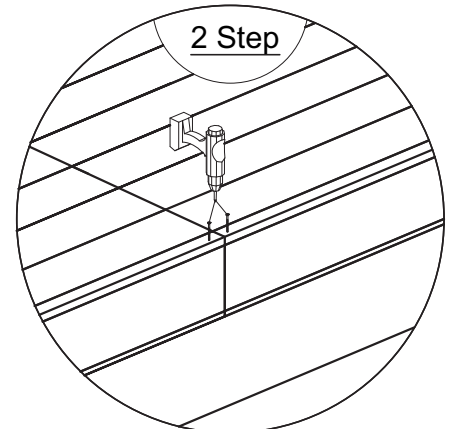
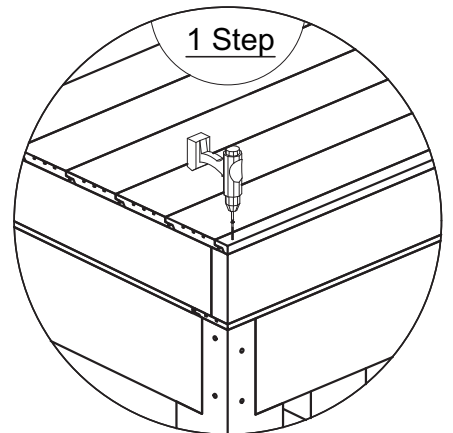
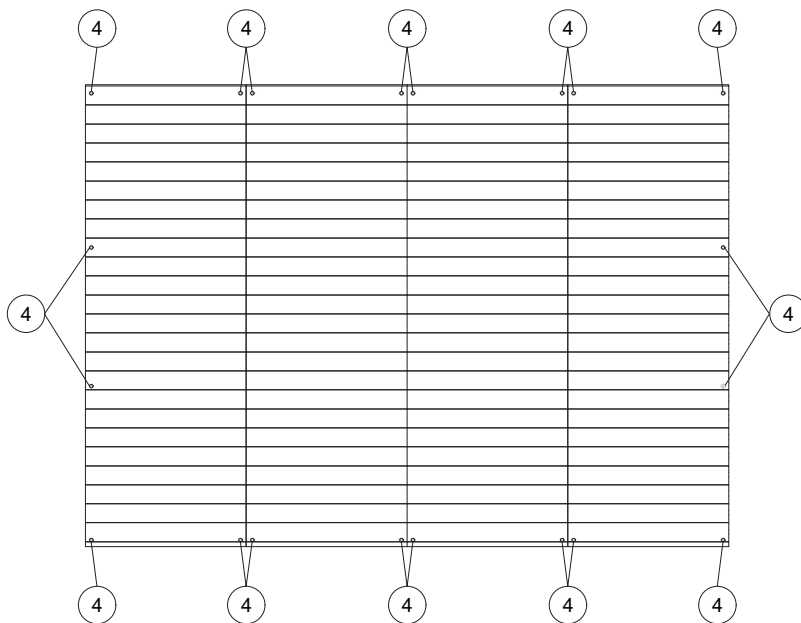
③ x2

C-2x4-stog-1000x2285
or
C-I-2x4-stog-1000x2285

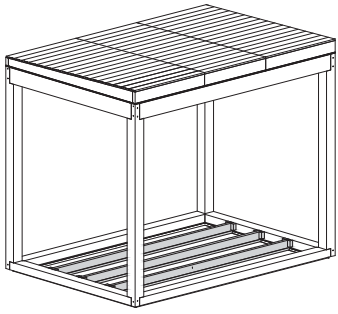


④ x20

T-GC-8x200



4. Cube-Garden Cube 2x2/2x3/2x4 FLOOR



① x12
M-45x45x80

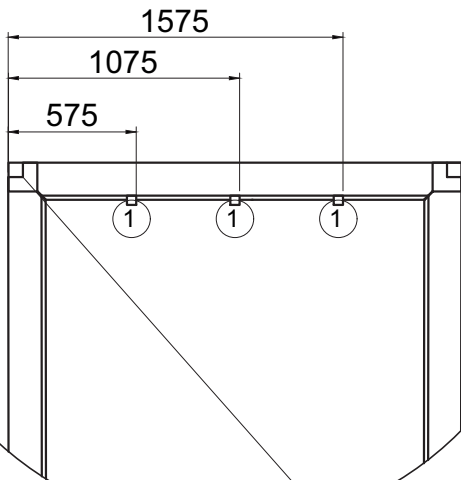
② x3
M-45x95x1966(2x2)

③ x3
M-45x95x2966(2x3)

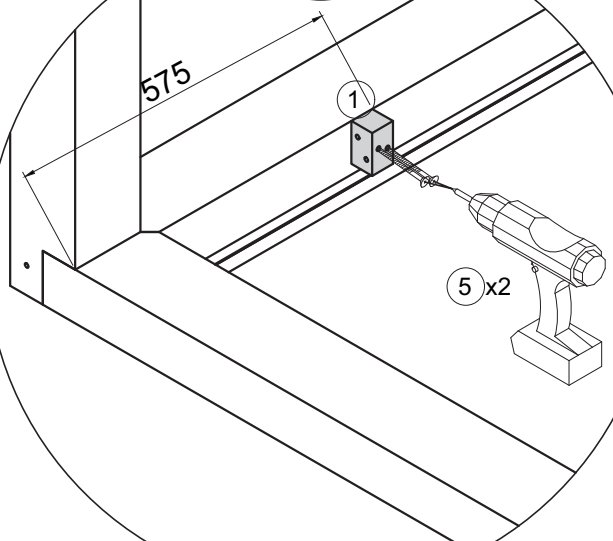
④ x3
M-45x95x3966(2x4)

⑤ x48
T-BC-4x70

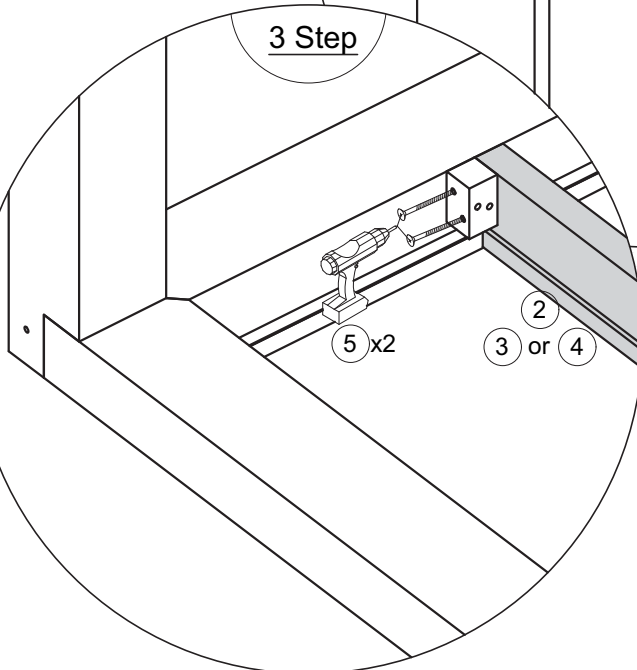
1 Step



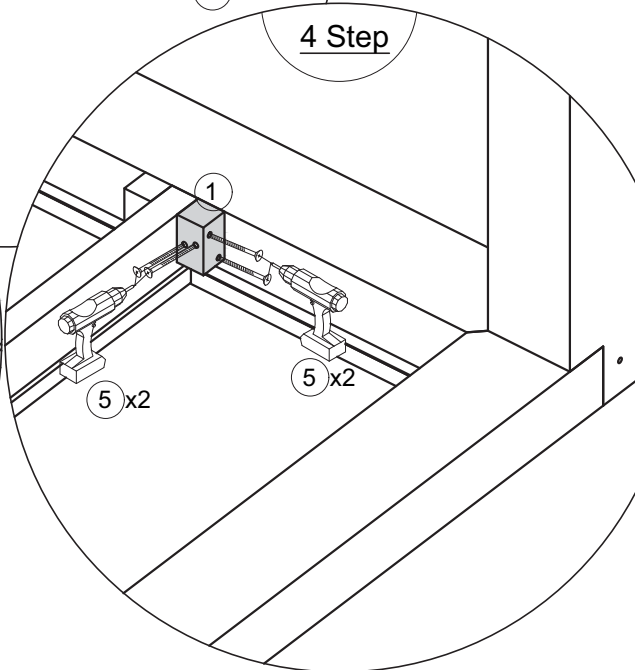
2 Step

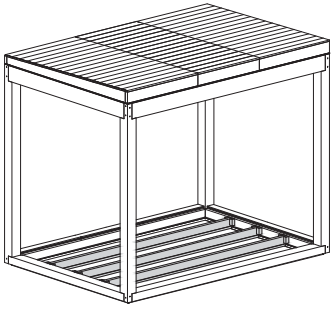


3 Step



4 Step





5. Cube-Garden Cube 2x2/2x3/2x4 FLOOR

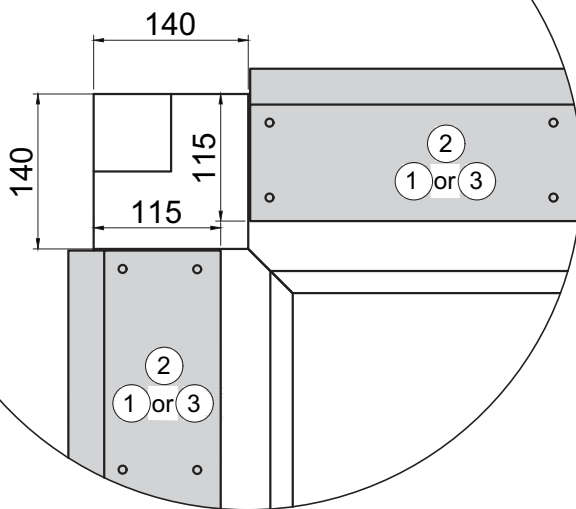
① x4
Spunt-28x138x2003-F(2x2-4Pcs.)

③ x2
Spunt-28x138x2003-F(2x4-2Pcs.)
or
Spunt-28x138x4003-F(2x4-2Pcs.)

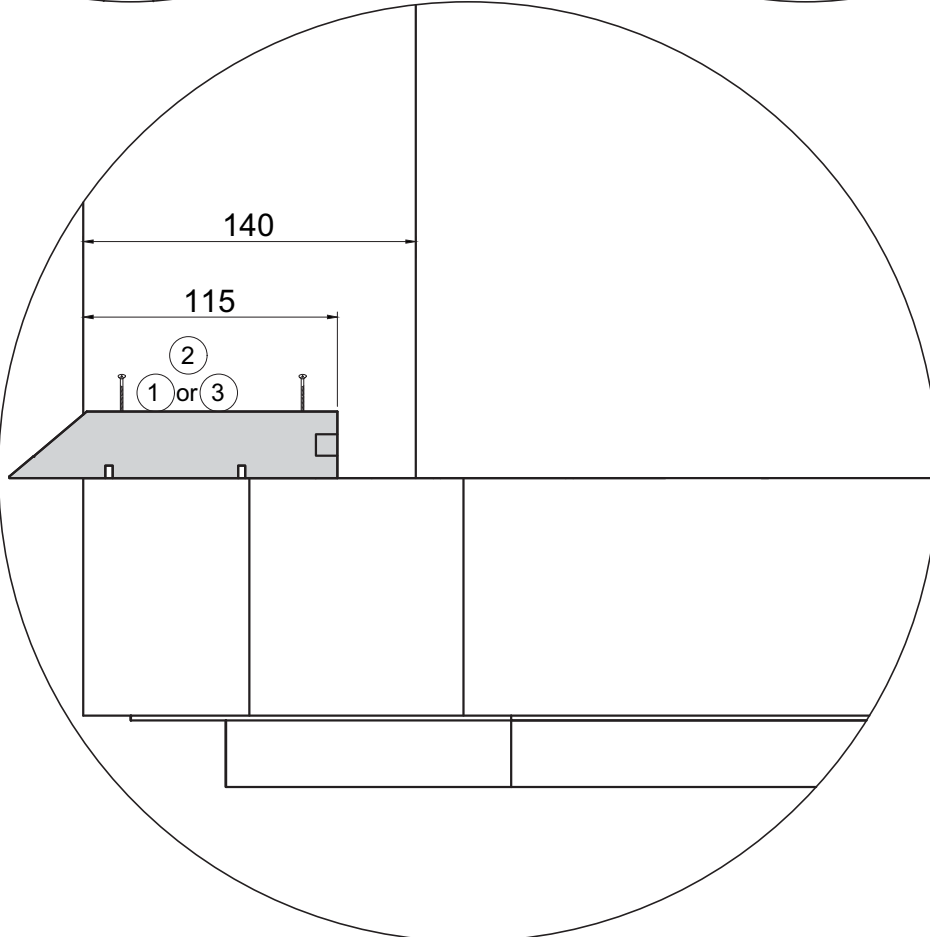
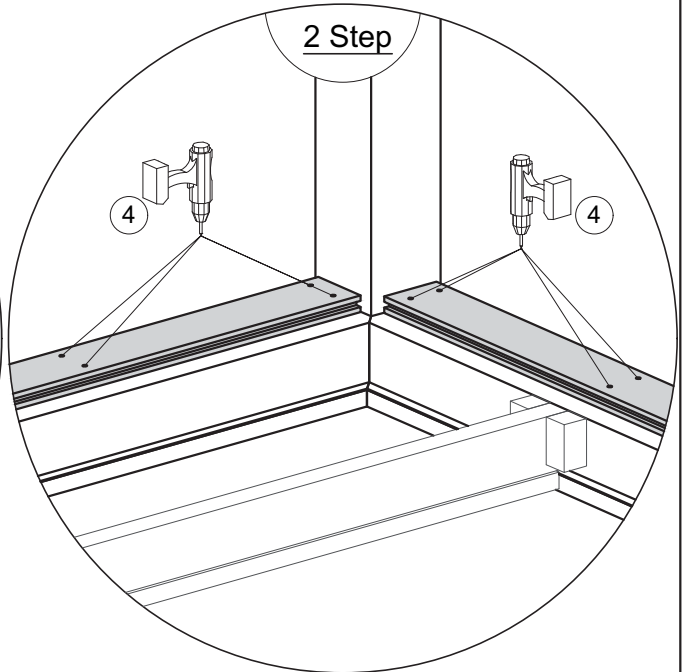
②
Spunt-28x138x2003-F(2x3-2Pcs.)
or
Spunt-28x138x3003-F(2x3-2Pcs.)

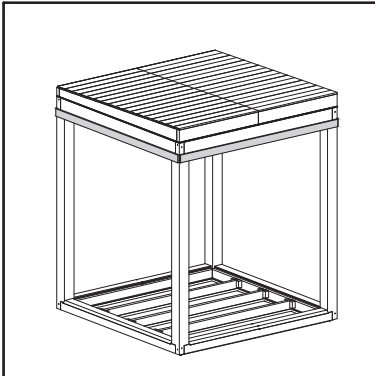
④
T-GC-3.5x45(2x2-40Pcs.)
or
T-GC-3.5x45(2x3-48Pcs.)
or
T-GC-3.5x45(2x4-56Pcs.)

1 Step

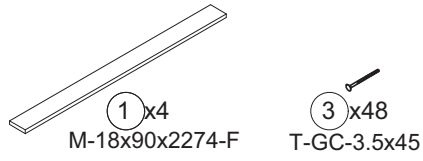


2 Step

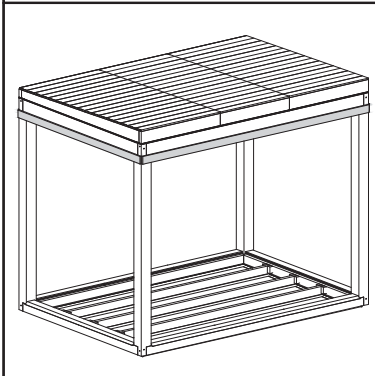




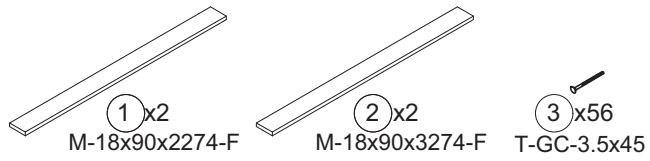
6. Cube-Garden Cube 2x2
WALLS SUPPORTS



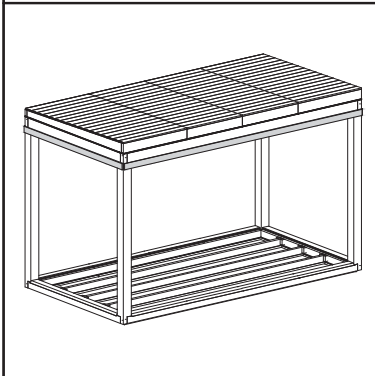
OR



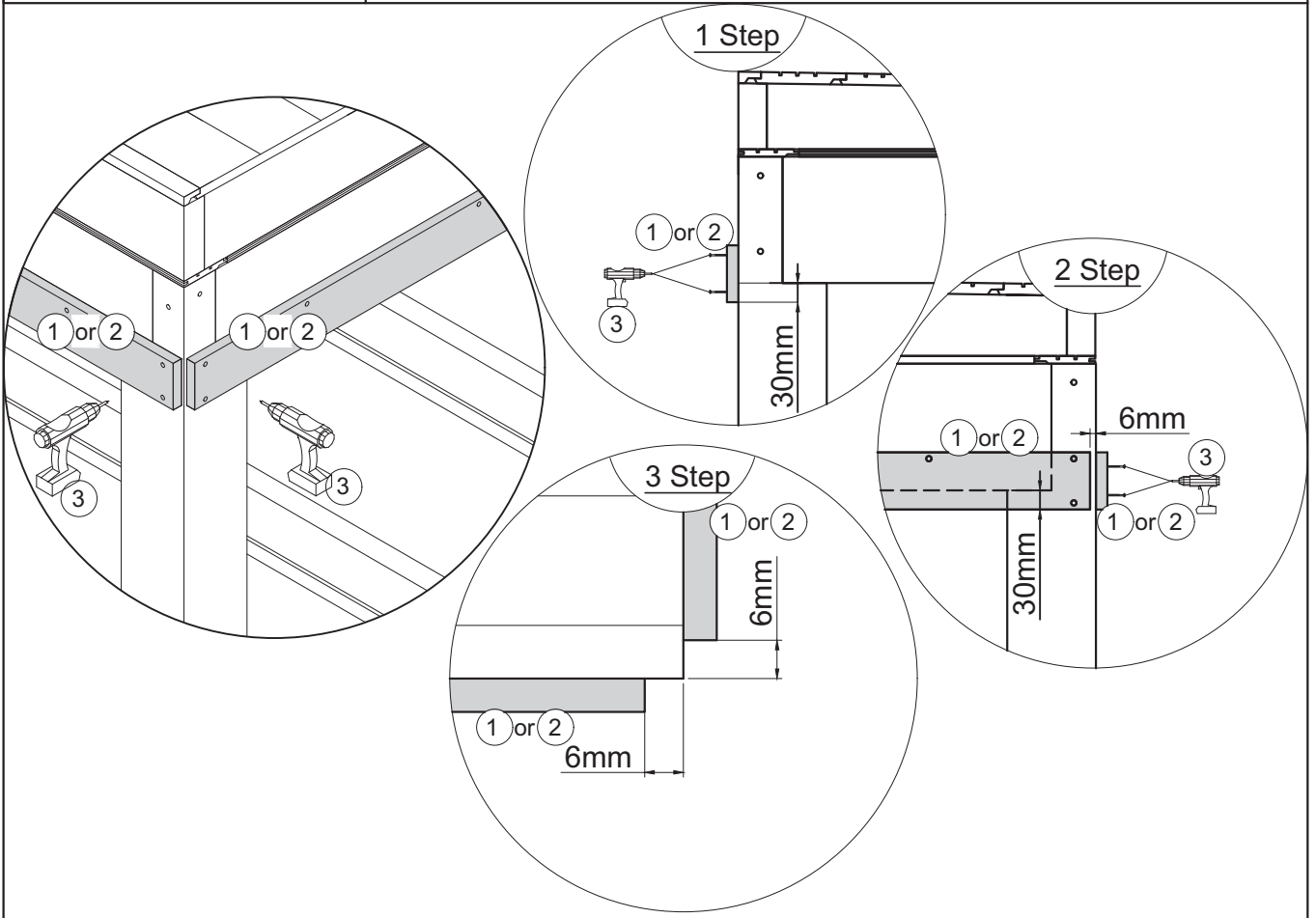
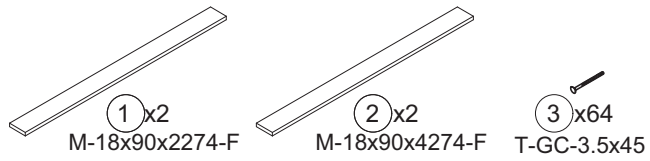
5. Cube-Garden Cube 2x3
WALLS SUPPORTS



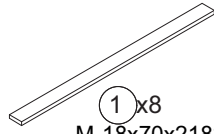
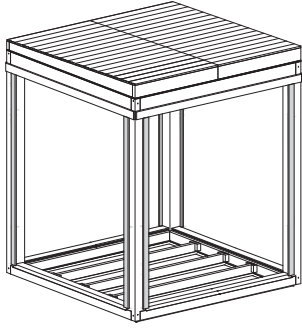
OR



5. Cube-Garden Cube 2x4
WALLS SUPPORTS



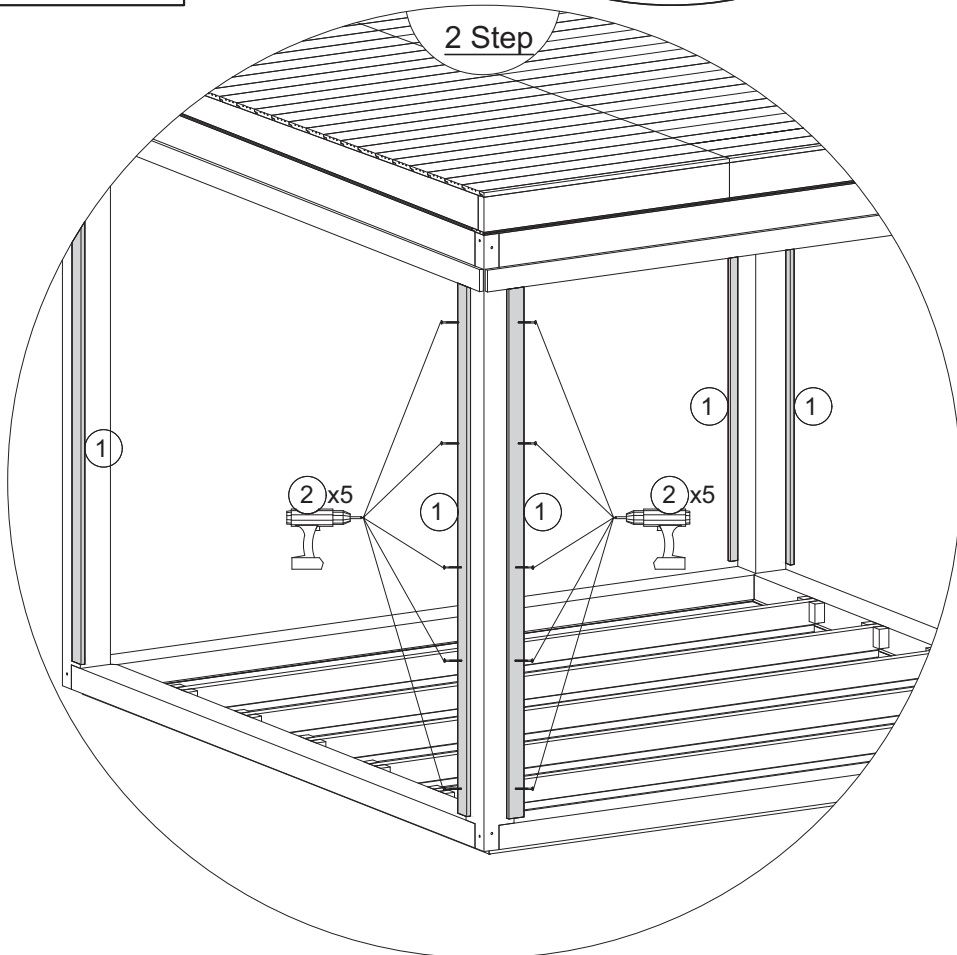
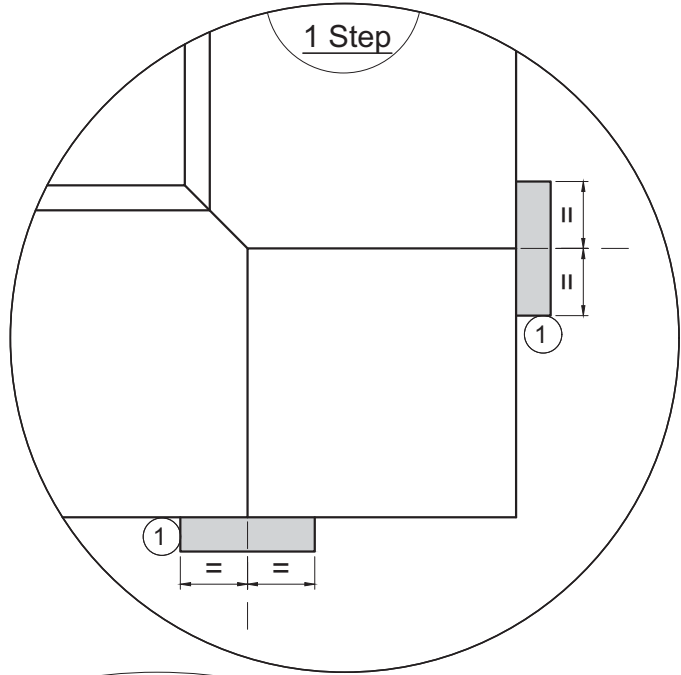
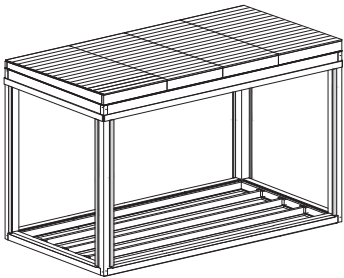
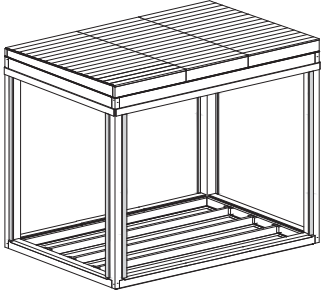
7. Cube-Garden Cube 2x2/2x3/2x4 WALLS SUPPORTS



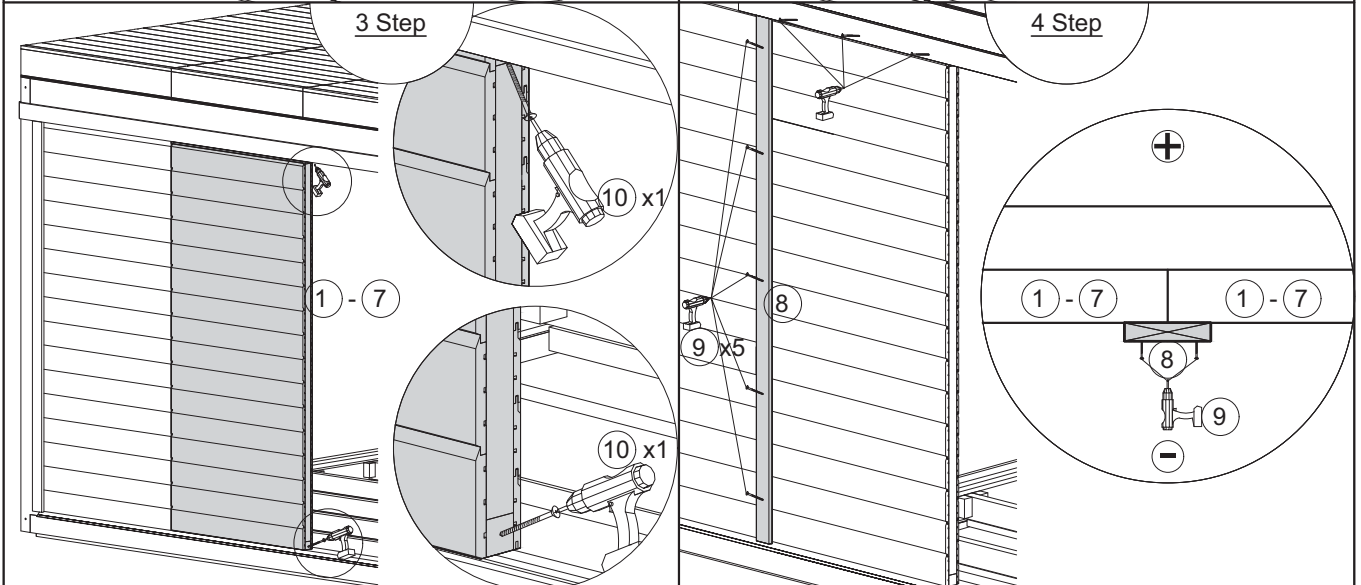
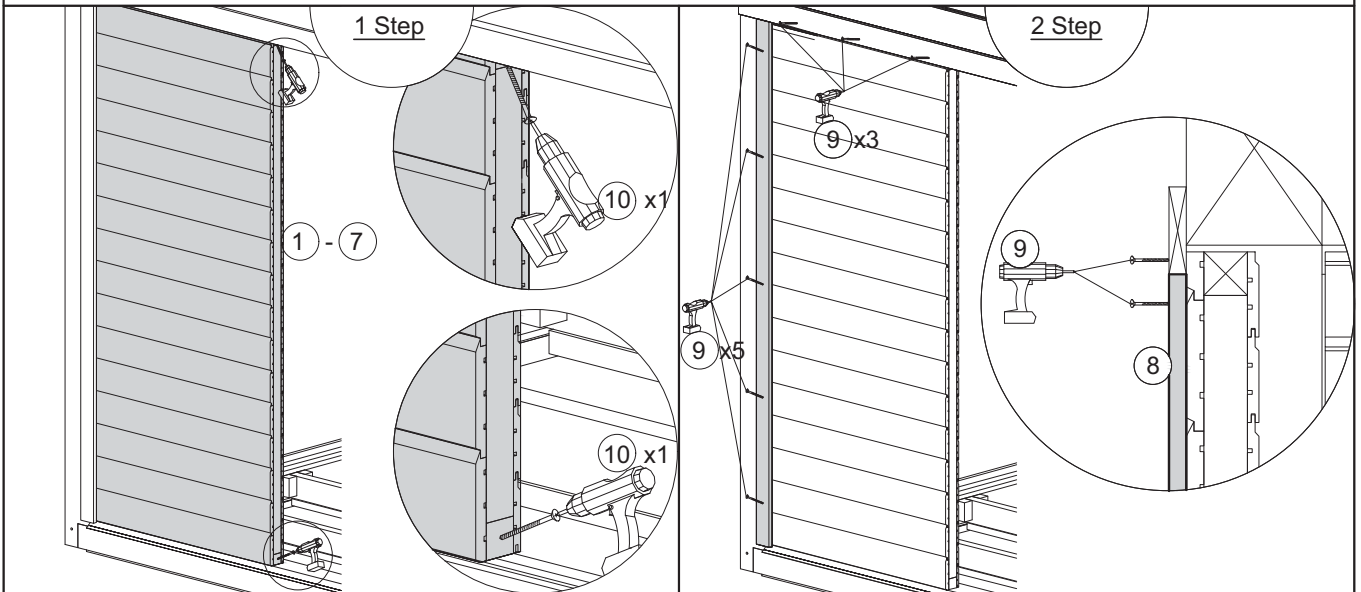
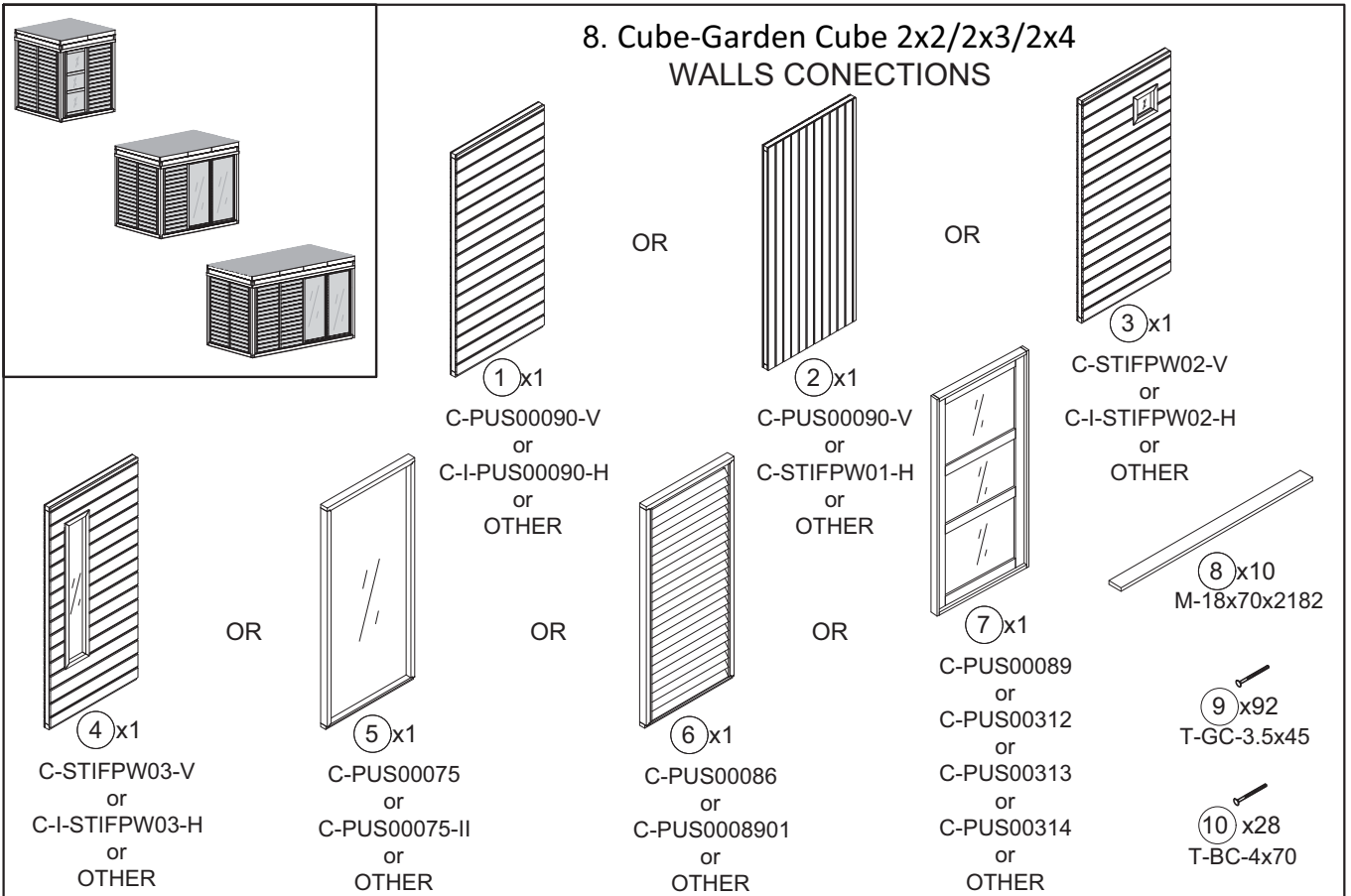
① x8
M-18x70x2182

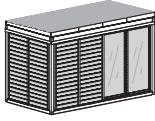
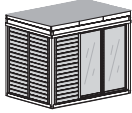


② x40
T-GC-3.5x45

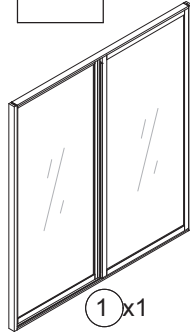


8. Cube-Garden Cube 2x2/2x3/2x4 WALLS CONECTIONS



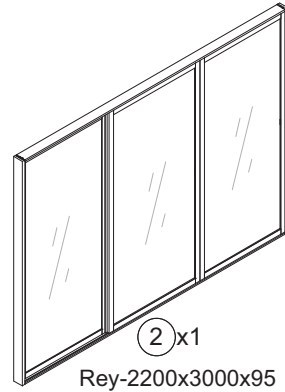


9. Cube-Garden Cube 2x2/2x3/2x4 SLIDING SYSTEM CONECTIONS

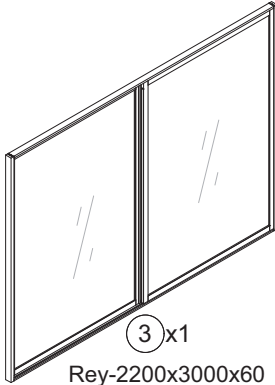


1 x1
Al-2200x2000x60
or
Rey-2200x2000x60

OR

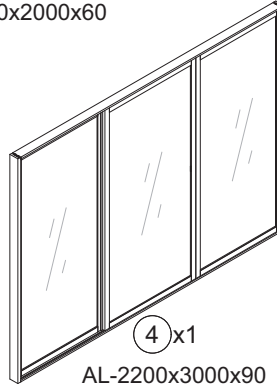


2 x1
Rey-2200x3000x95



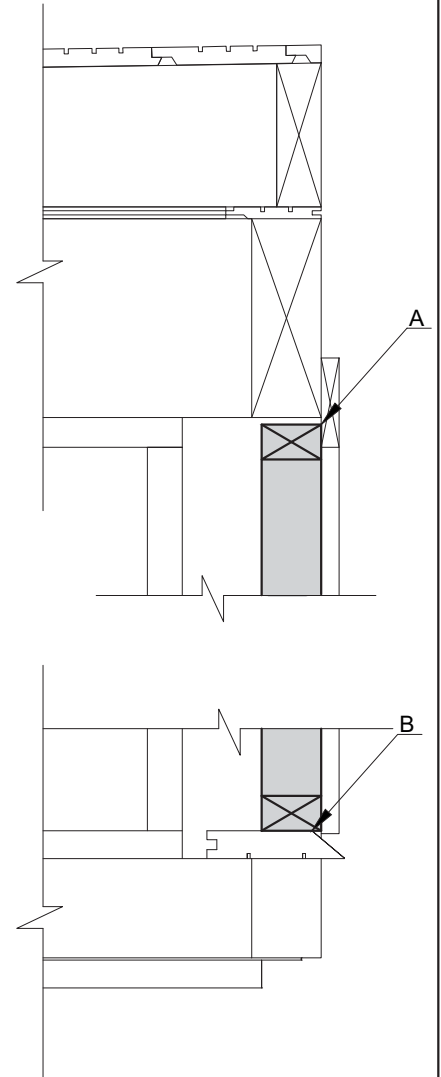
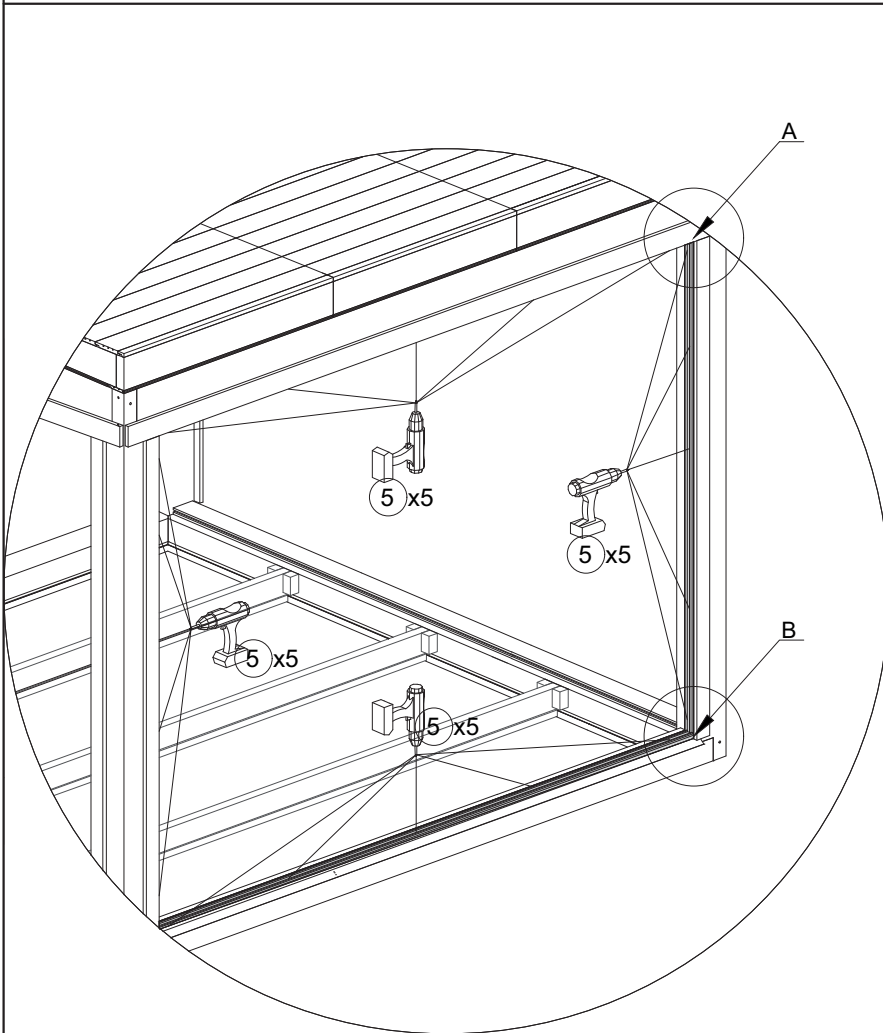
3 x1
Rey-2200x3000x60

OR



4 x1
AL-2200x3000x90

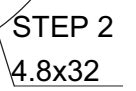
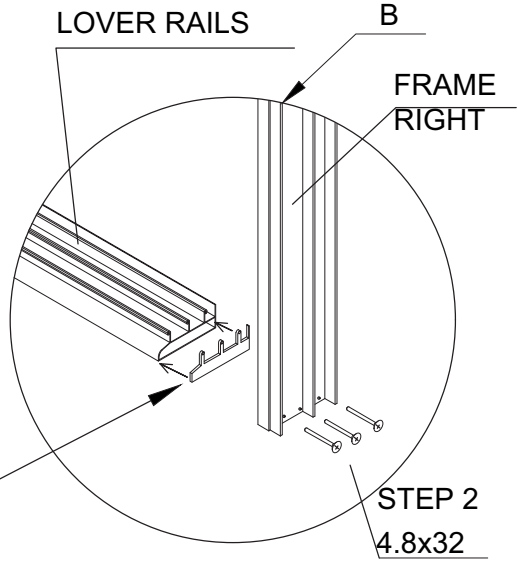
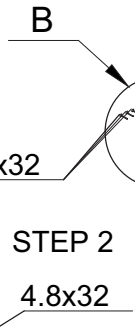
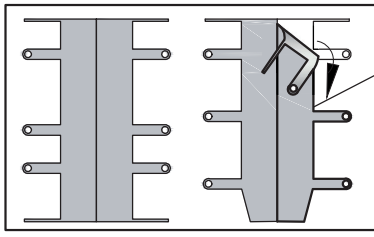
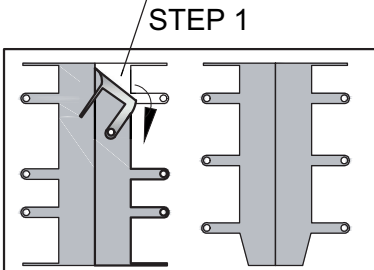
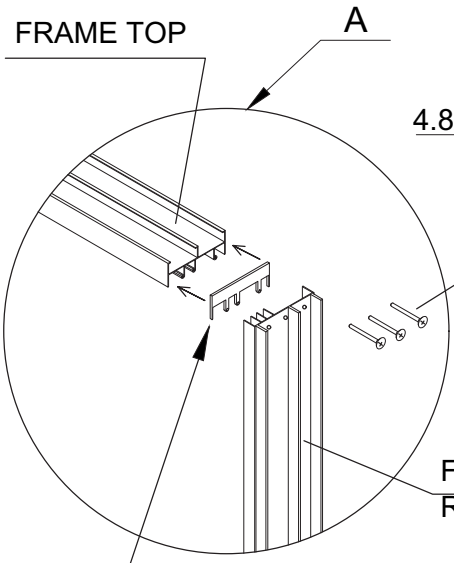
5 x20
T-BC-4x50



9.1 SLIDING SYSTEM ASSEMBLY 3m

1 x1

Rey-2200x3000x95
or
Rey-2200x3000x60
or
AL-2200x3000x90

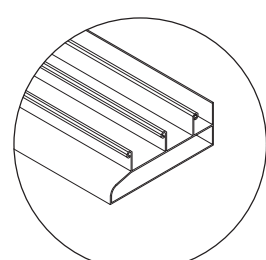
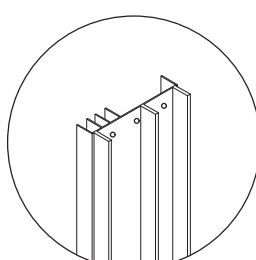
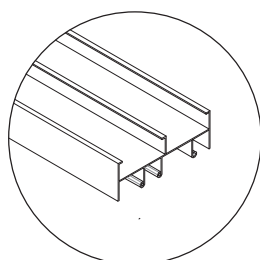
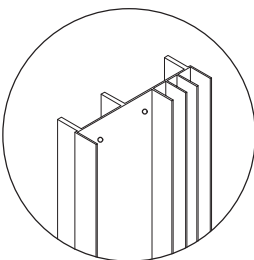


LEFT

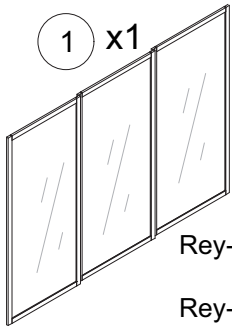
TOP

RIGHT

BOTTOM

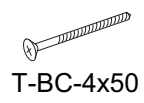


1 x1



Rey-2200x3000x95
or
Rey-2200x3000x60
or
AL-2200x3000x90

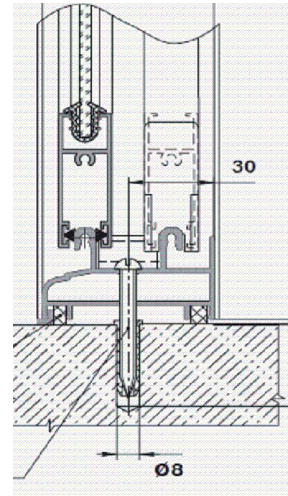
2 x28



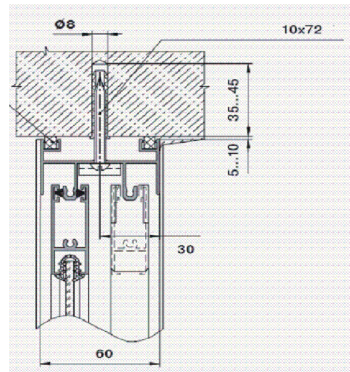
T-BC-4x50

9.2 Cube 2x2/2x3/2x4 SLIDING SYSTEM ASSEMBLY 3m

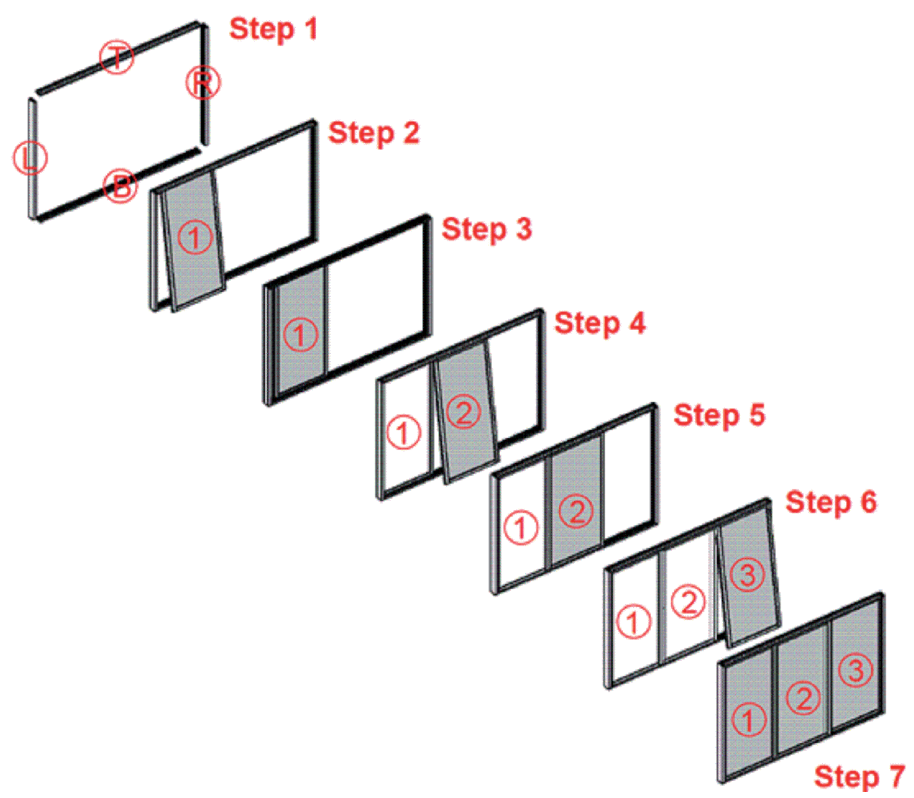
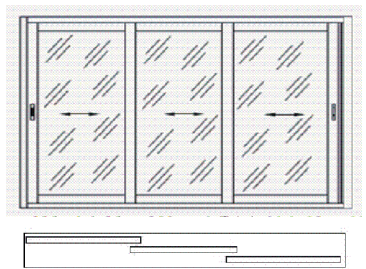
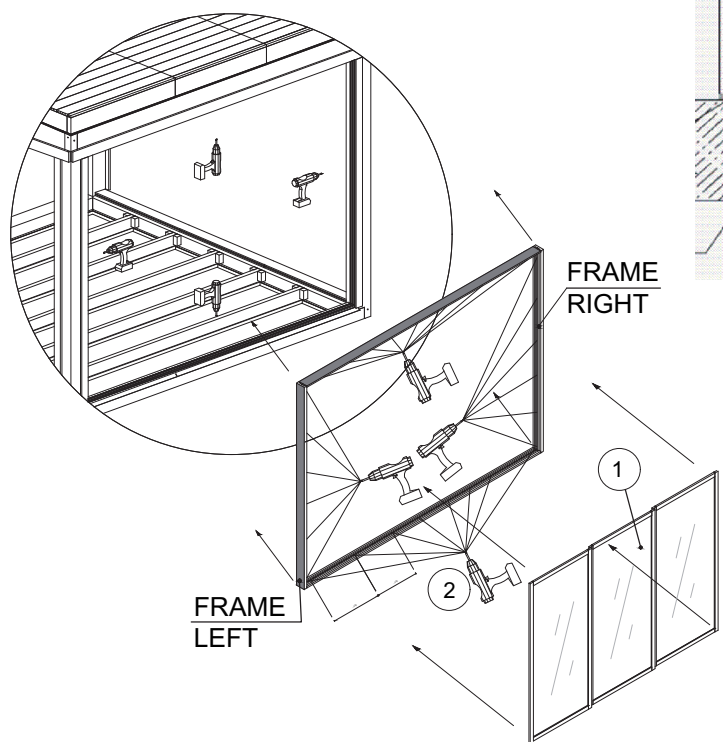
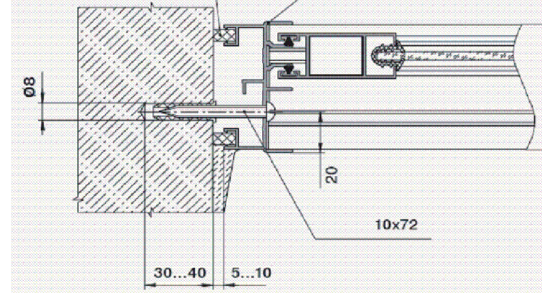
Fixing the lower rail



Fixing the top rail

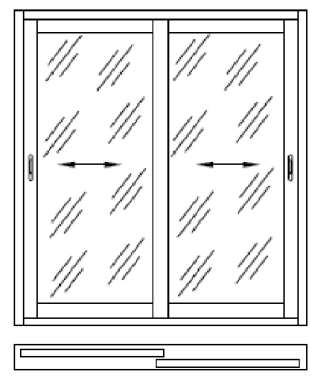
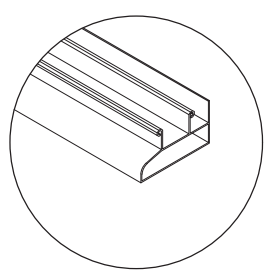
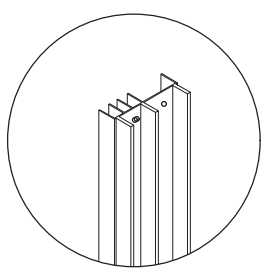
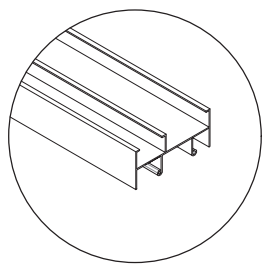
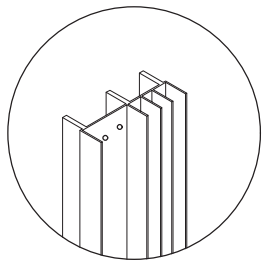
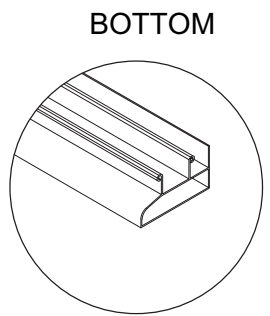
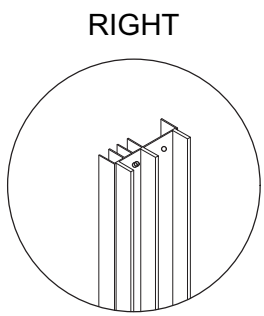
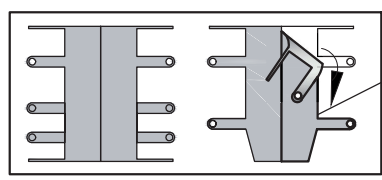
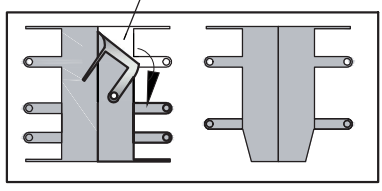
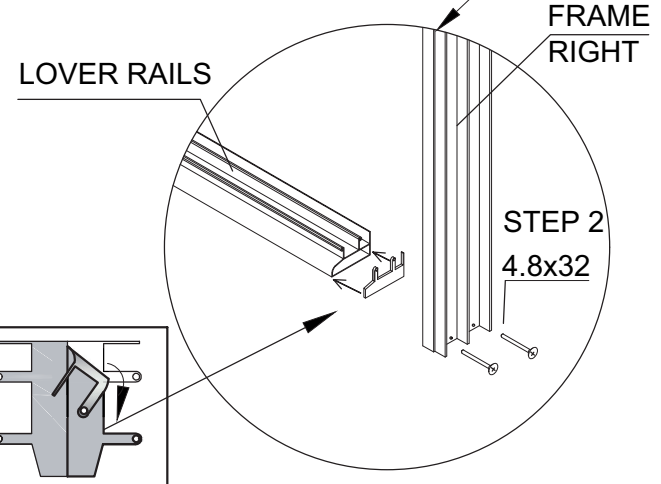
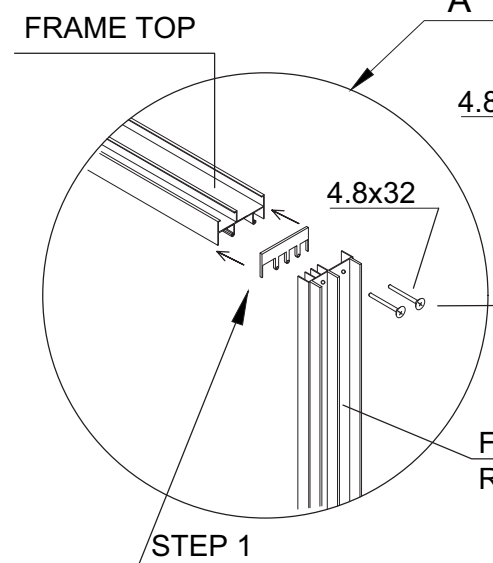
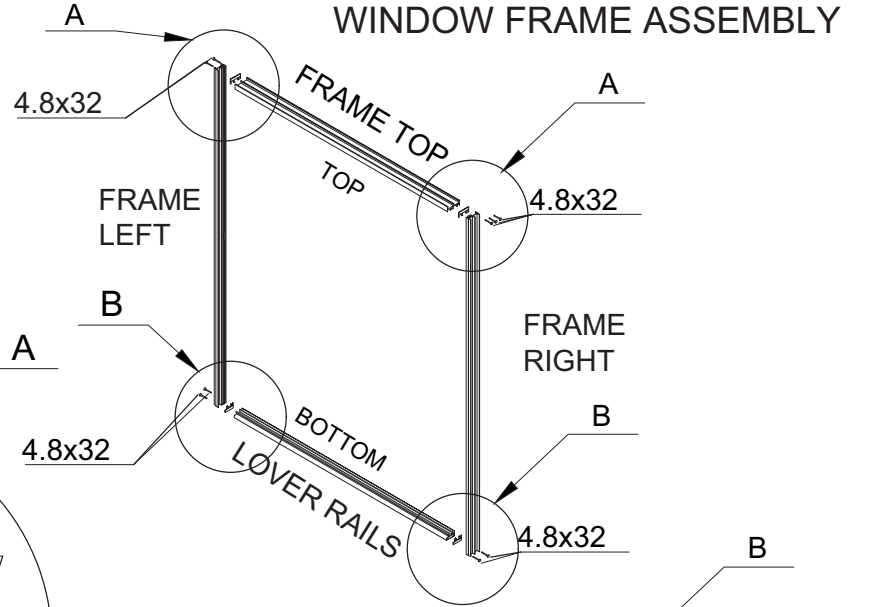


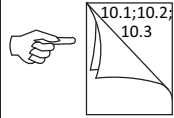
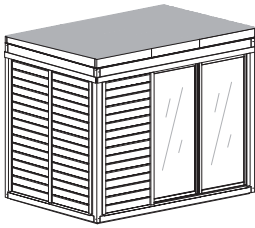
Fixing the side frame



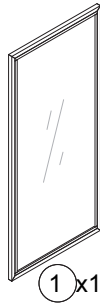
9.3 Cube 2x2/2x3/2x4 SLIDING SYSTEM ASSEMBLY 2m WINDOW FRAME ASSEMBLY

- 1 x1
- 2 x1
- 3 x20
- T-BC-4x50
- Al-2200x2000x60
or
Rey-2200x2000x60



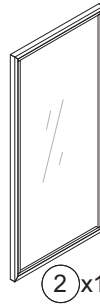


10. Cube-Garden Cube 2x2/2x3/2x4 WINDOWS CONECTIONS

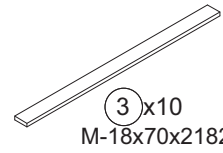


1 x1
AL-2200x1000x40

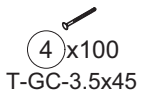
OR



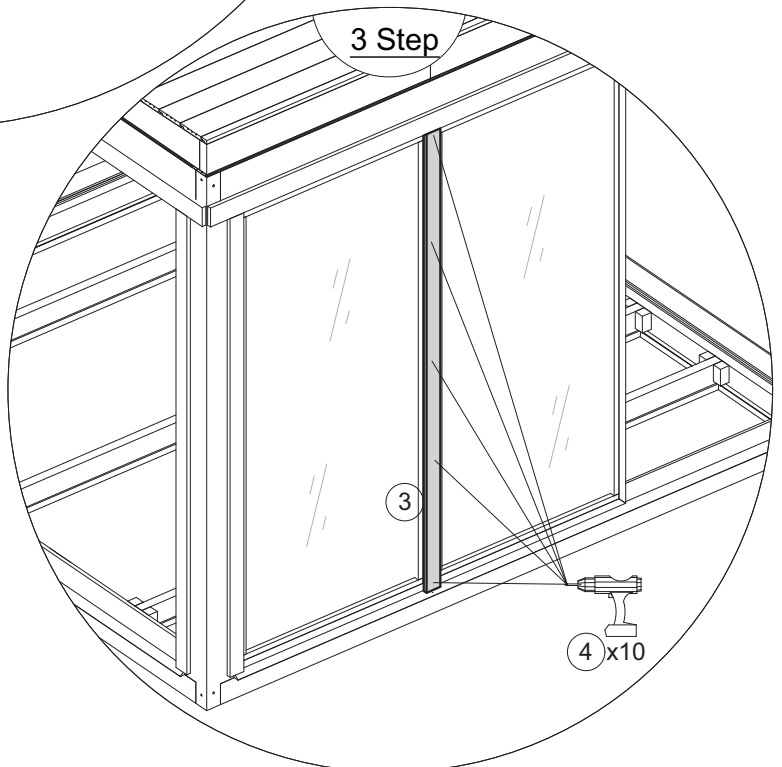
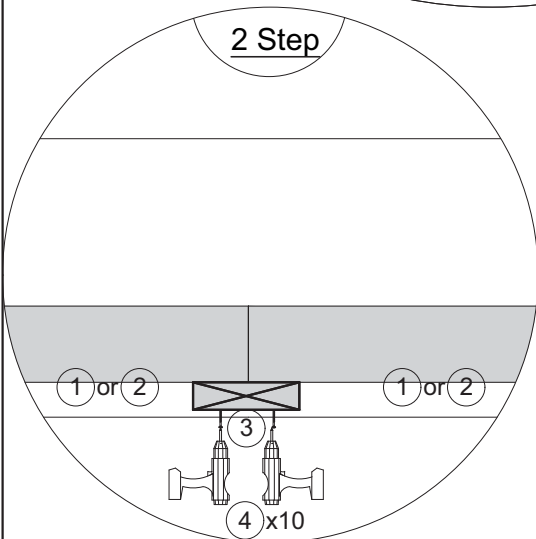
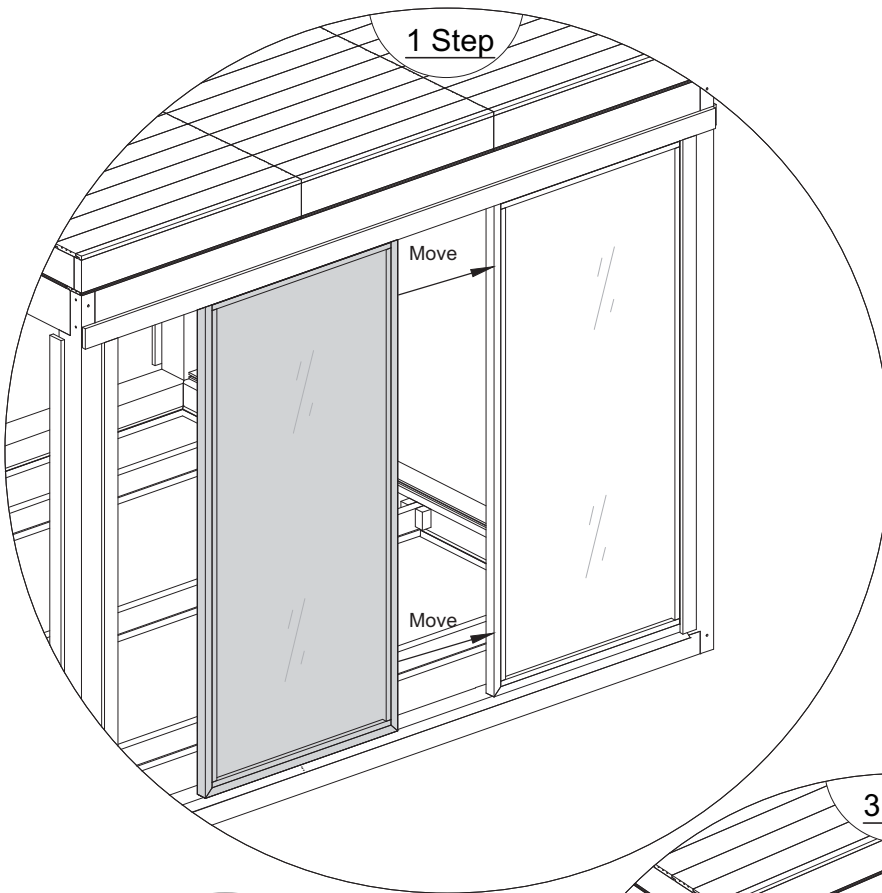
2 x1
Rey-2200x1000x50



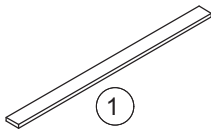
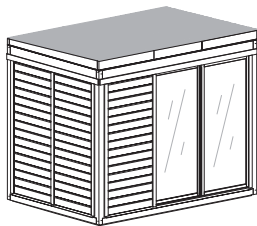
3 x10
M-18x70x2182



4 x10
T-GC-3.5x45



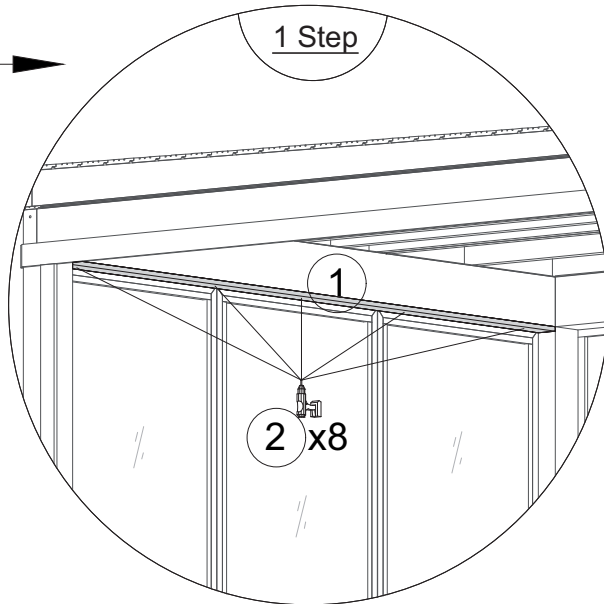
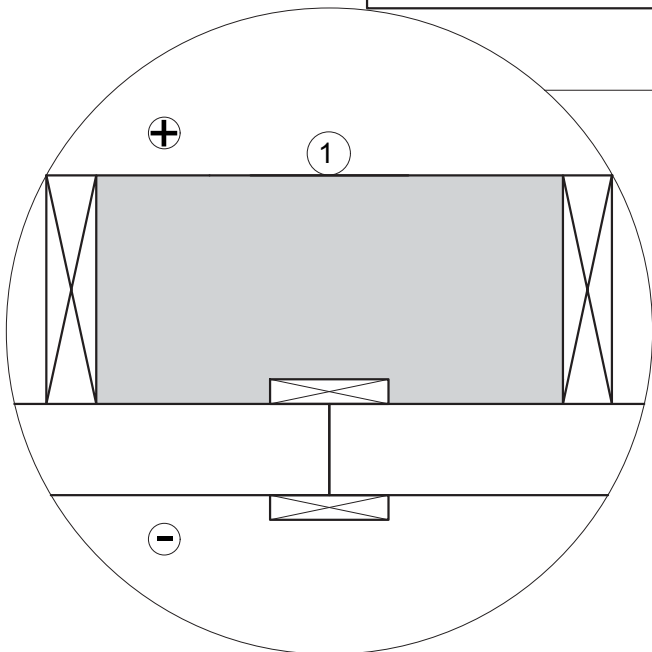
10.1 Cube-Garden Cube 2x2/2x3/2x4 INSIDE WALLS AND WINDOWS SUPPORTS



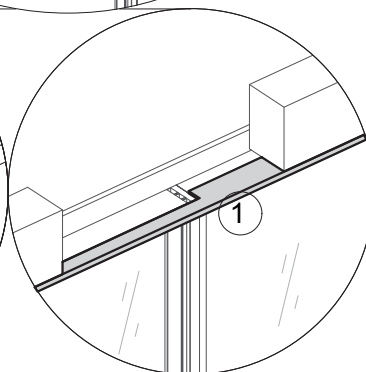
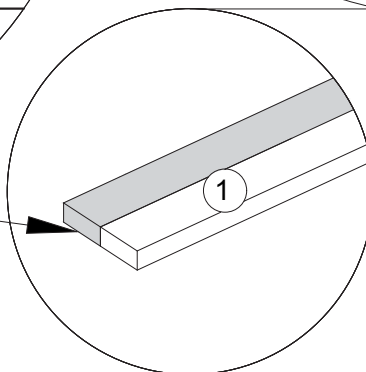
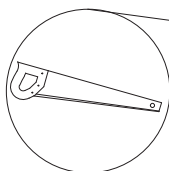
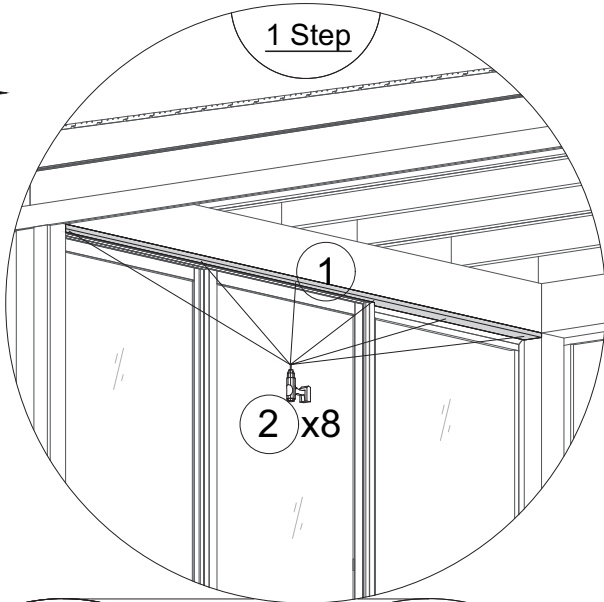
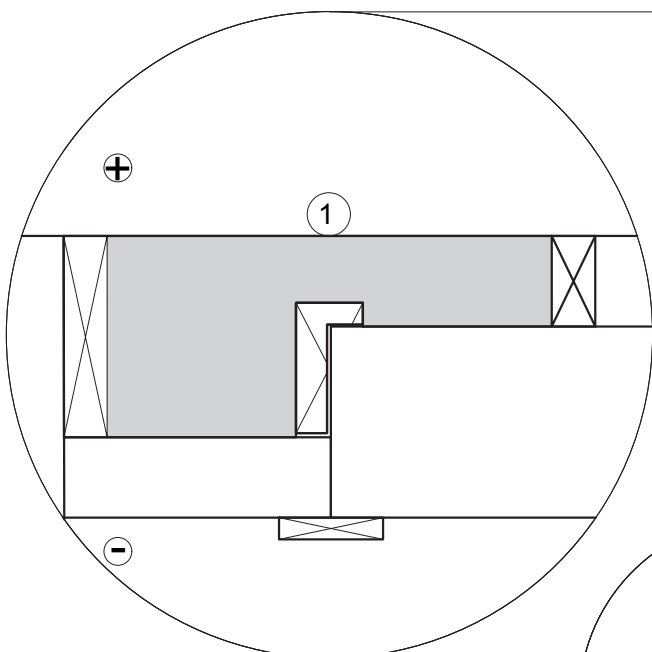
M-18x100x2004(2x2-4Pcs.)
or
M-18x100x2004(2x3-2Pcs.)
M-18x100x3004(2x3-2Pcs.)
or
M-18x100x2004(2x4-2Pcs.)
M-18x100x4004(2x4-2Pcs.)



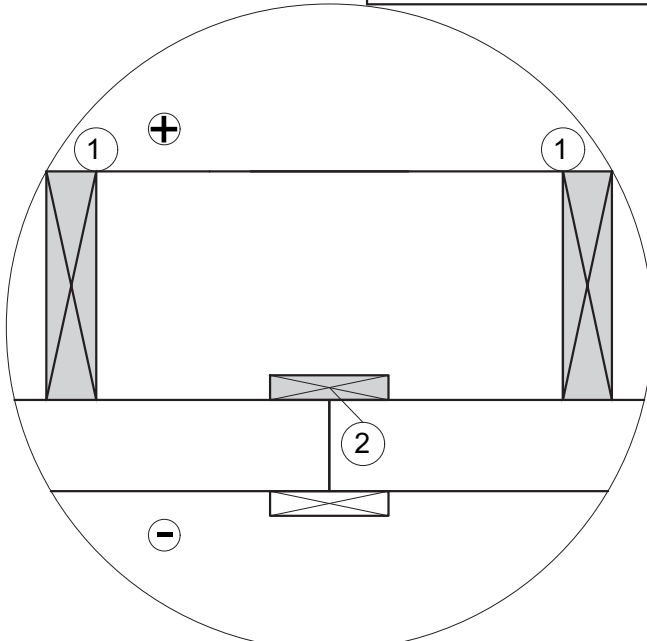
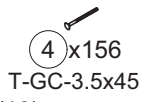
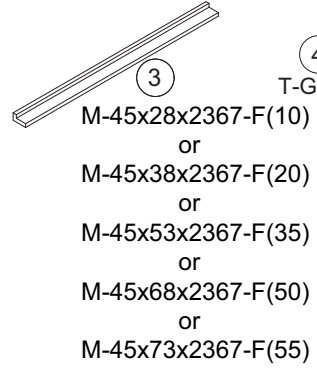
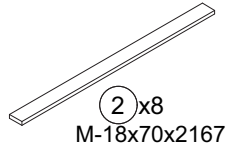
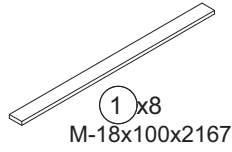
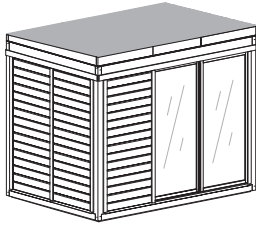
T-GC-3.5x45



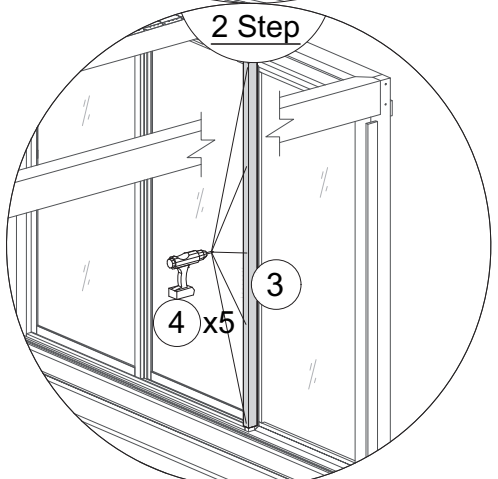
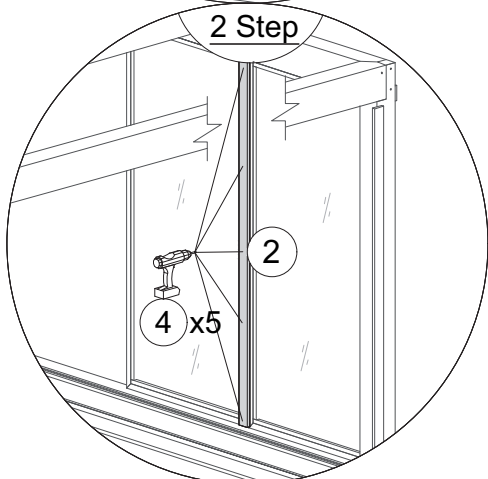
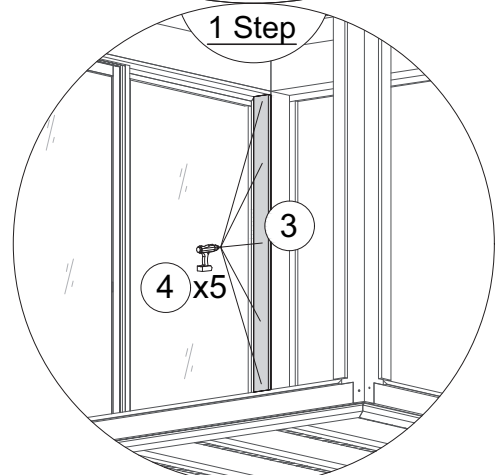
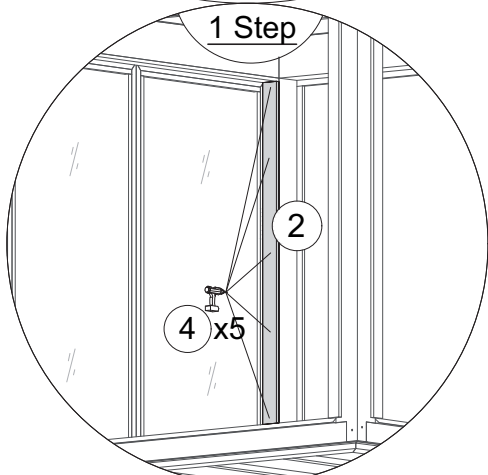
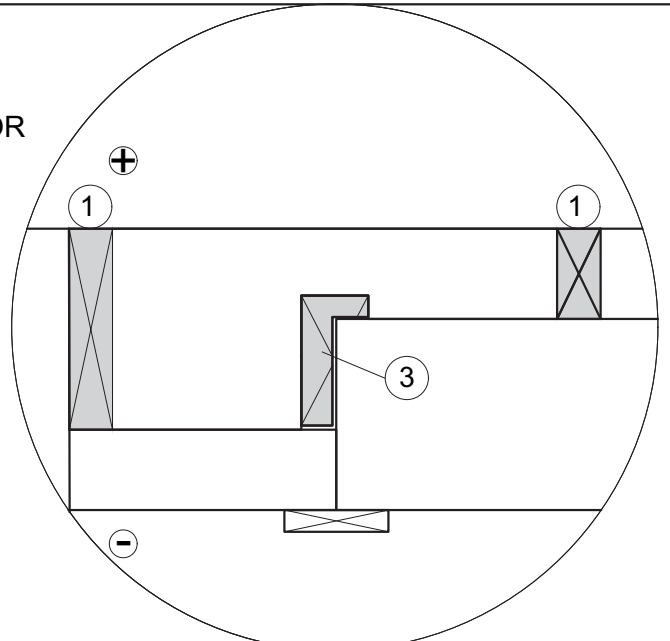
OR



10.2 Cube-Garden Cube 2x2/2x3/2x4 INSIDE WALLS AND WINDOWS SUPPORTS



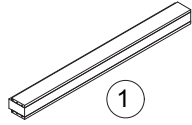
OR



10.3 Cube-Garden Cube 2x2/2x3/2x4 WINDOWS WITH PARTITION WALL CONECTIONS

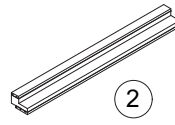


Rey-2200x1000x50



1

M-69x88x2367-F(0)



2

M-69x88x2367-F(10)

or

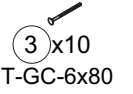
M-69x88x2367-F(25)

or

M-69x88x2367-F(40)

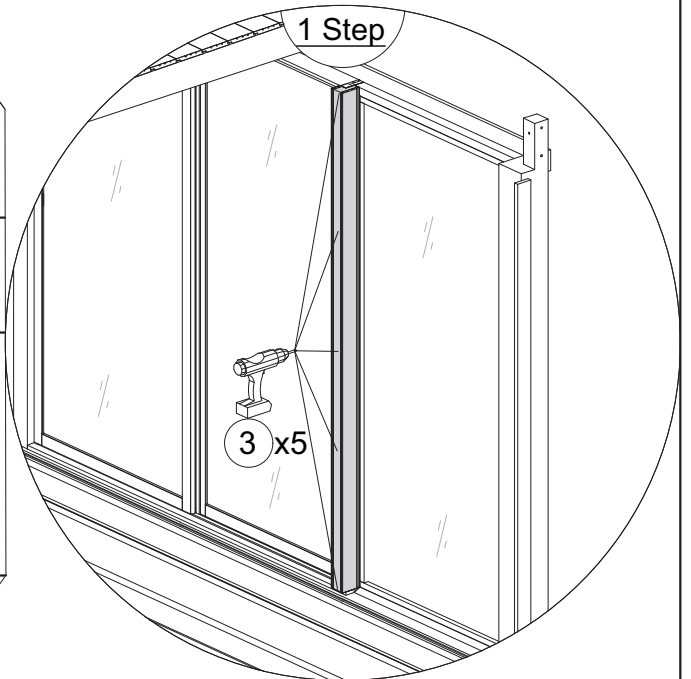
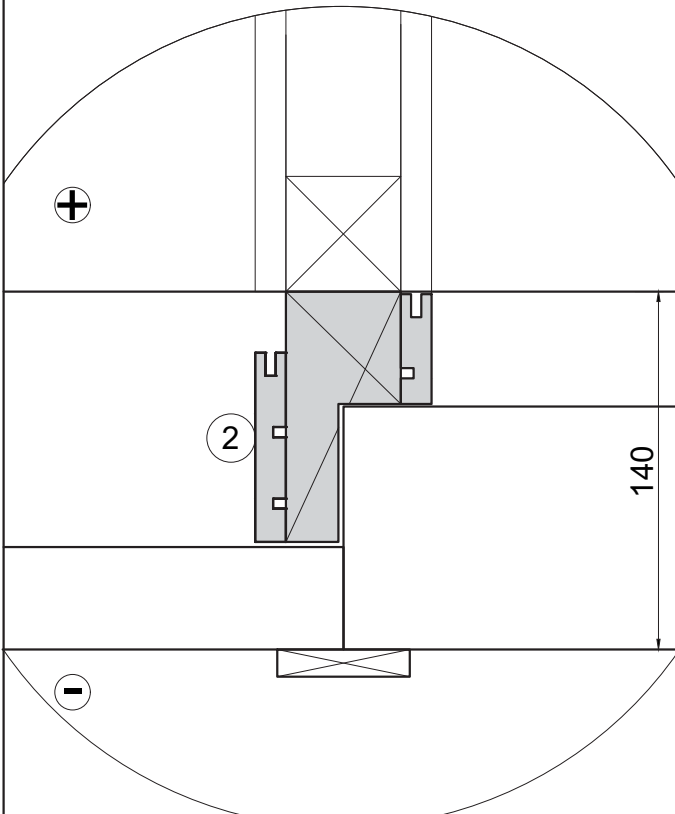
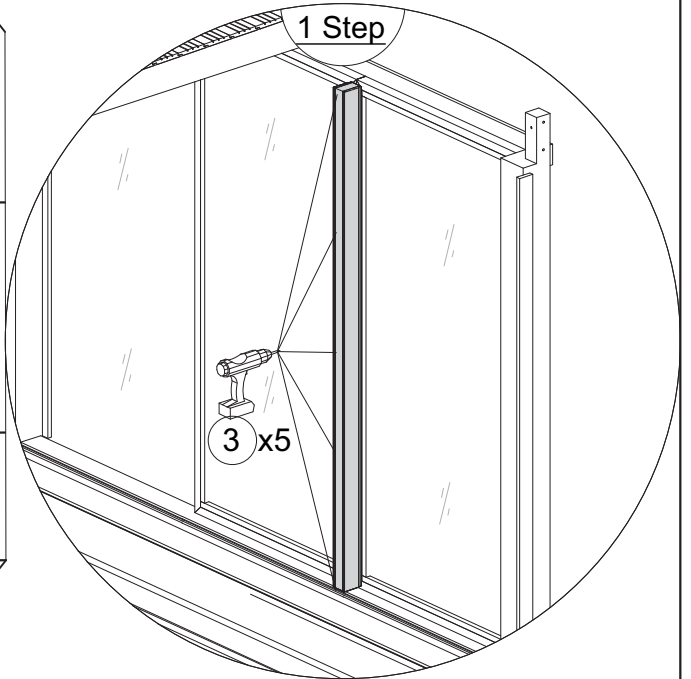
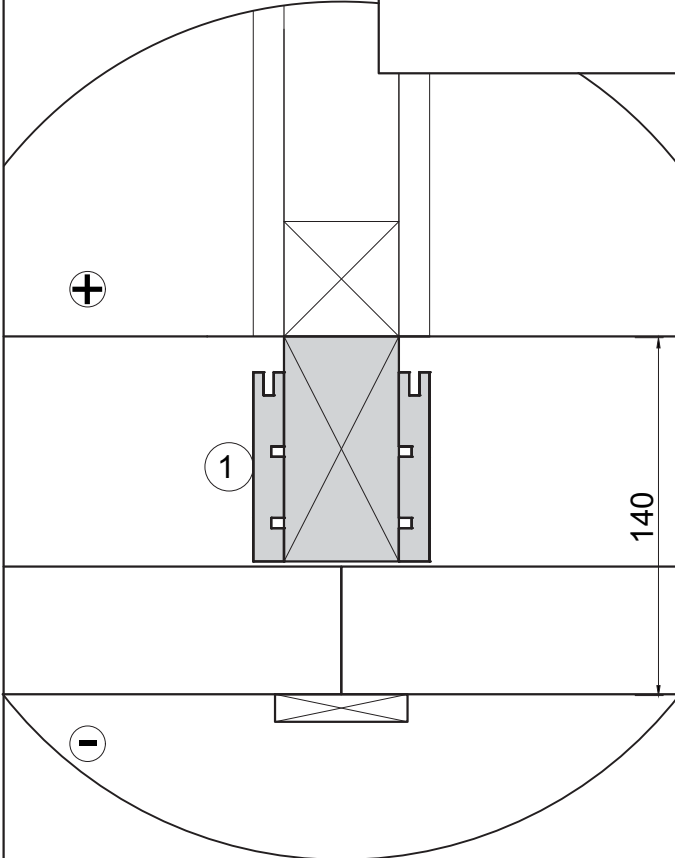
or

M-69x88x2367-F(45)

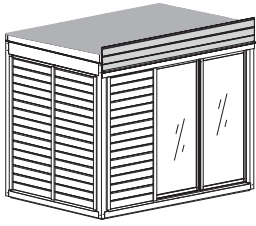


3 x10

T-GC-6x80



11. Cube-Garden Cube 2x2/2x3/2x4 ROOF FRONT OUTSIDE DECORATION

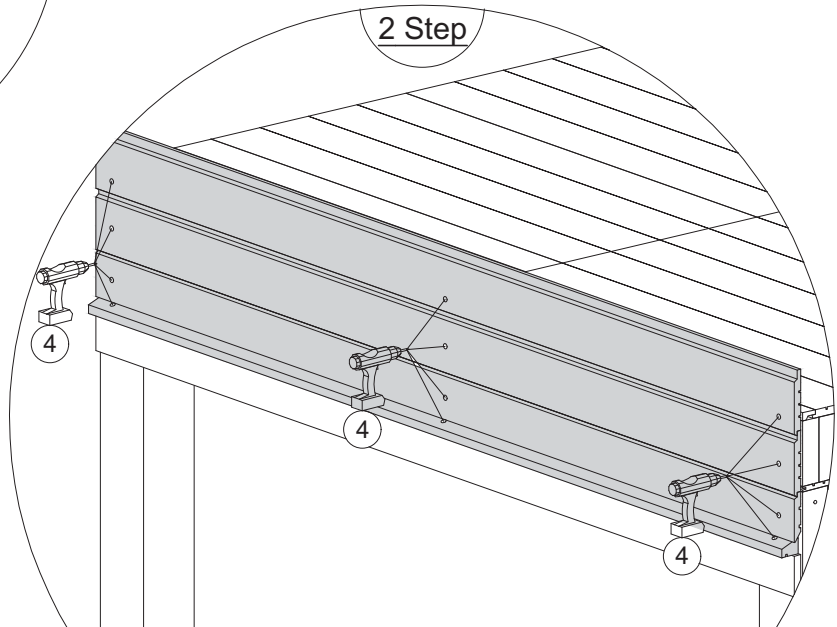
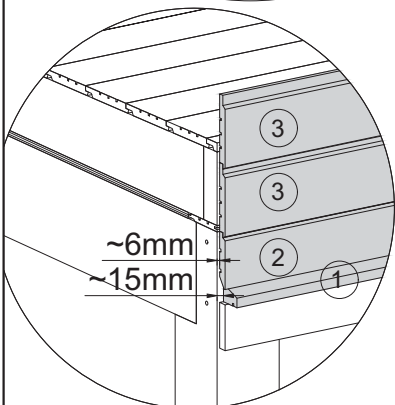
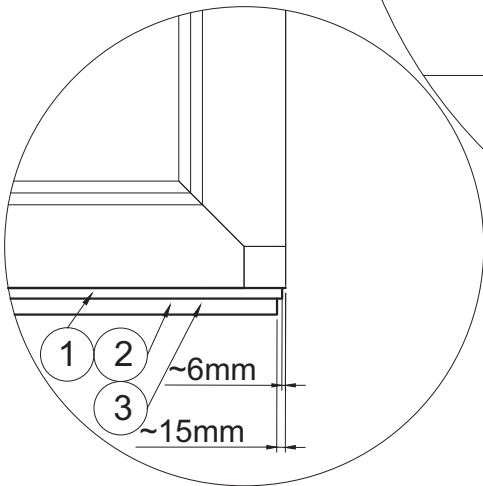
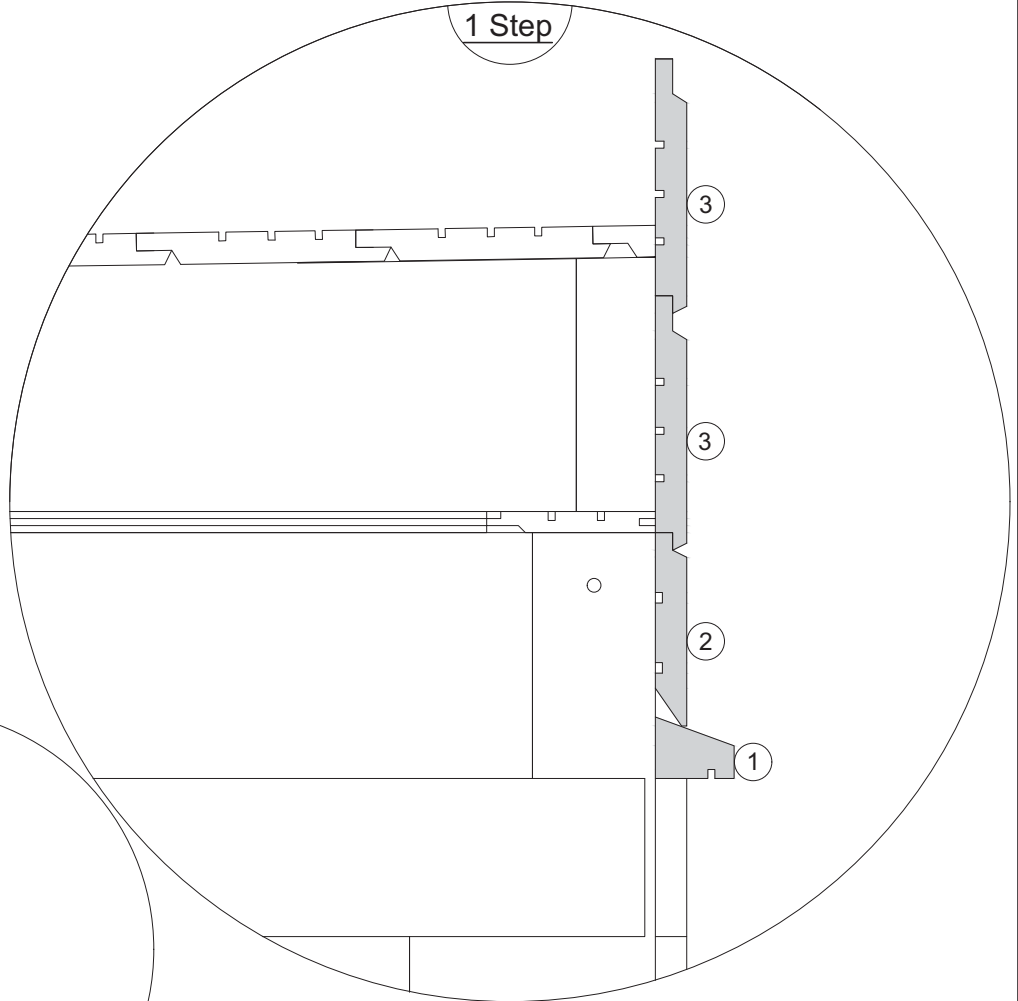


① x1
M-35x45x2258-F
or
M-35x45x3258-F
or
M-35x45x4258-F

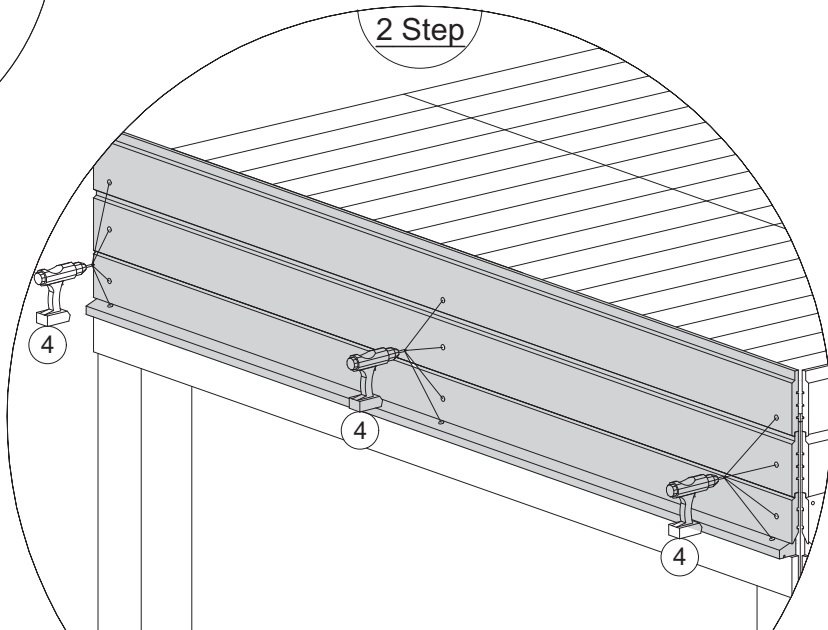
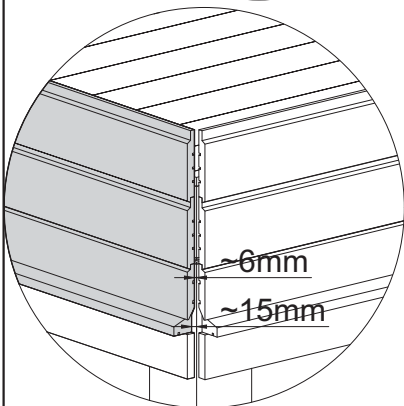
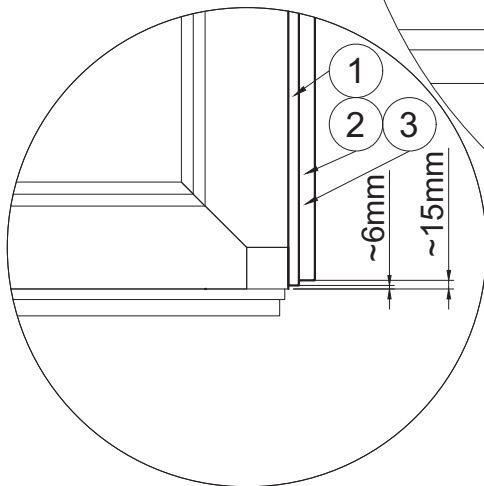
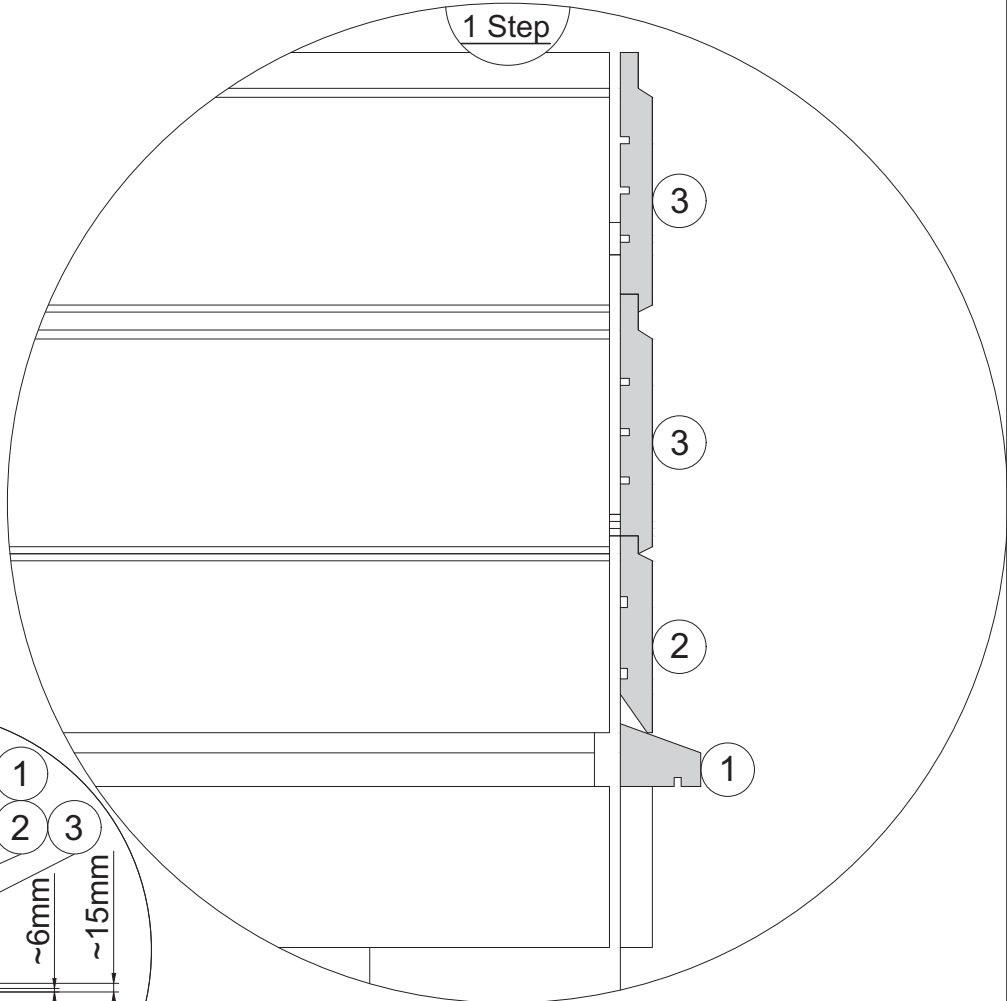
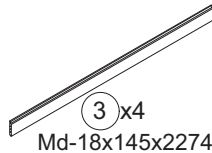
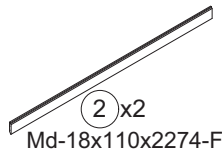
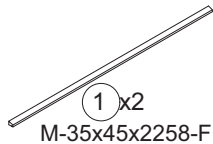
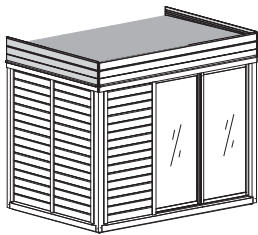
② x1
Md-18x110x2274-F
or
Md-18x110x3274-F
or
Md-18x110x4274-F

③ x2
Md-18x145x2274
or
Md-18x145x3274
or
Md-18x145x4274

④ x44
T-GC-3.5x45

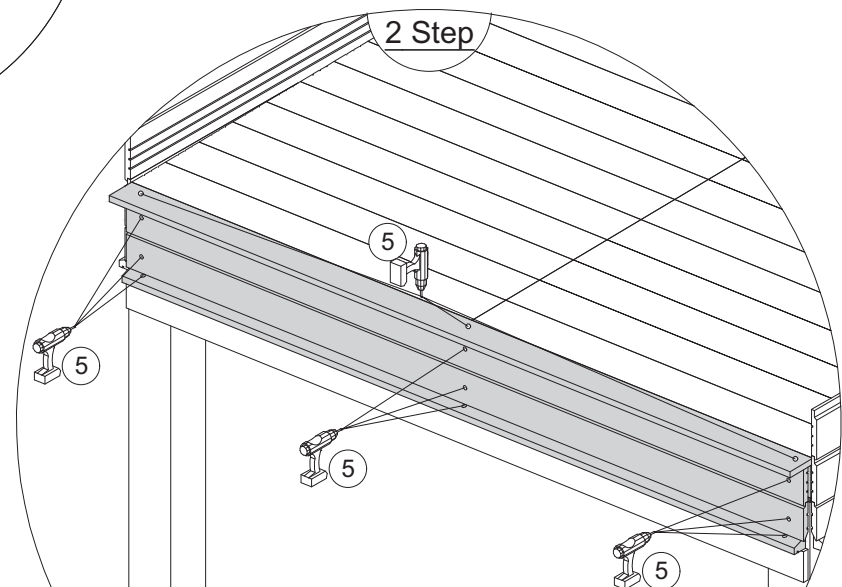
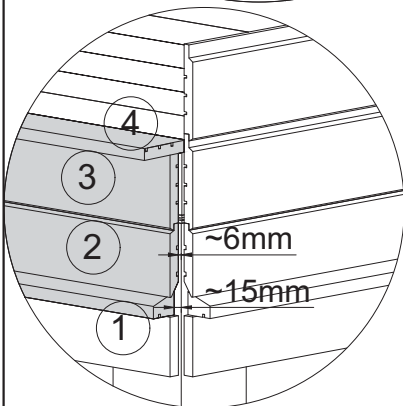
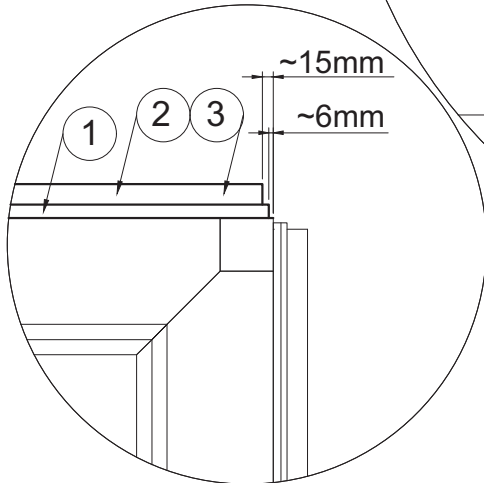
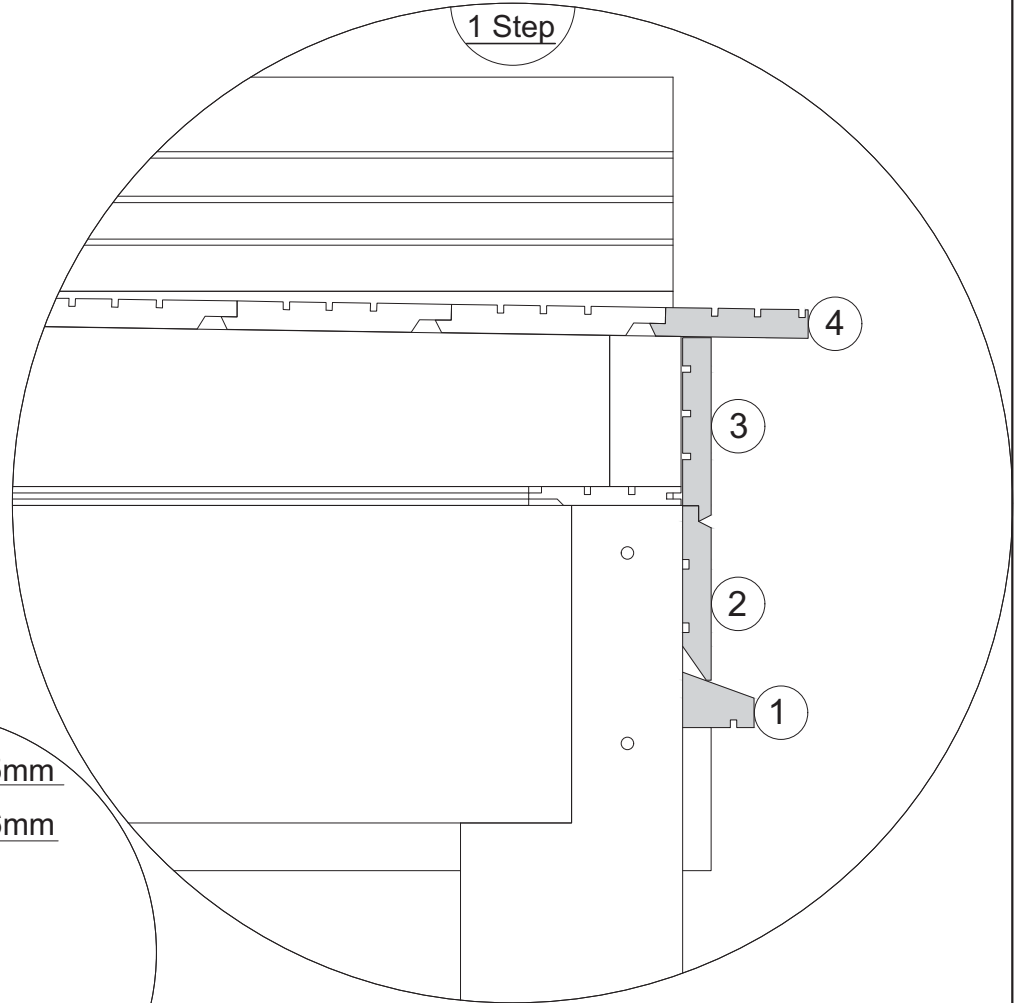
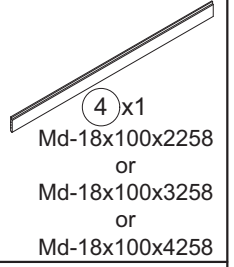
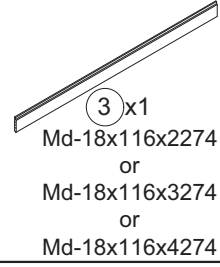
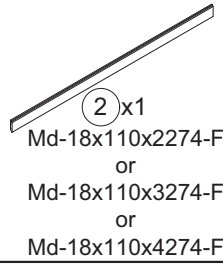
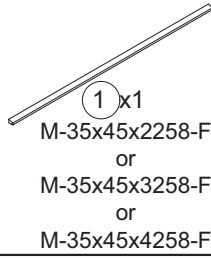
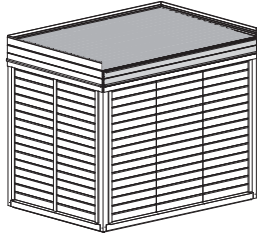


11.1 Cube-Garden Cube 2x2/2x3/2x4
ROOF SIDES OUTSIDE DECORATION

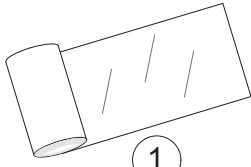


11.2 Cube-Garden Cube 2x2/2x3/2x4 ROOF BACK OUTSIDE DECORATION

⑤ x48
T-GC-3.5x45



11.3 Cube-Garden Cube 2x2/2x3/2x4 BITUMEN ROLL ROOF COVER INSTALATION

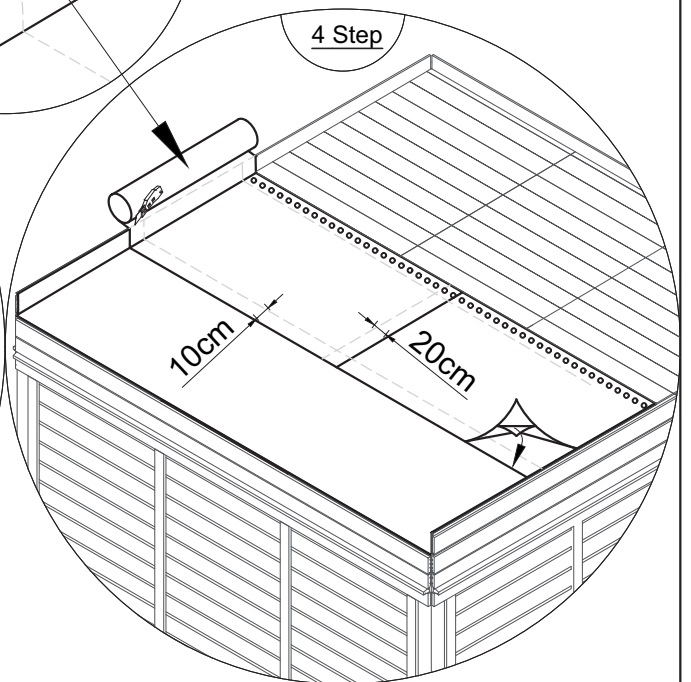
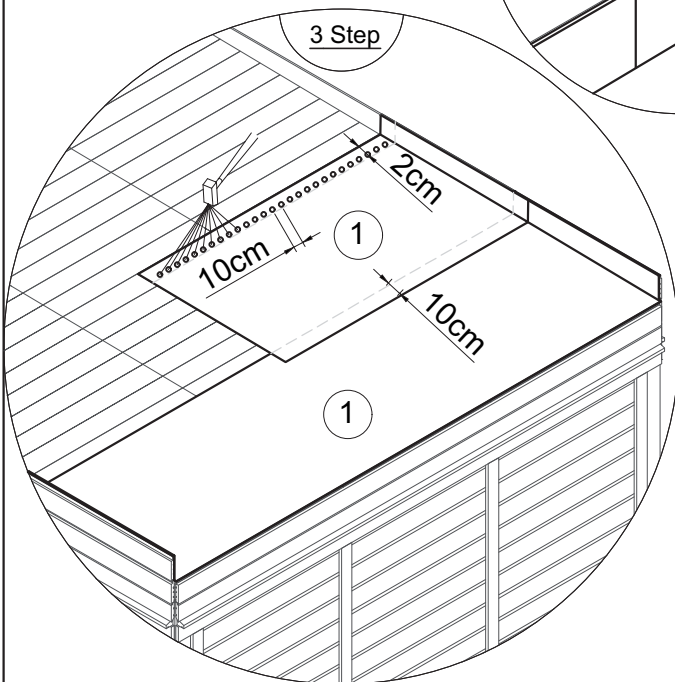
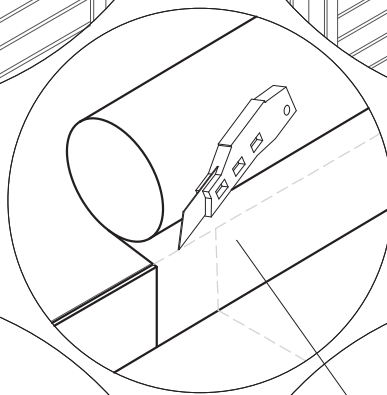
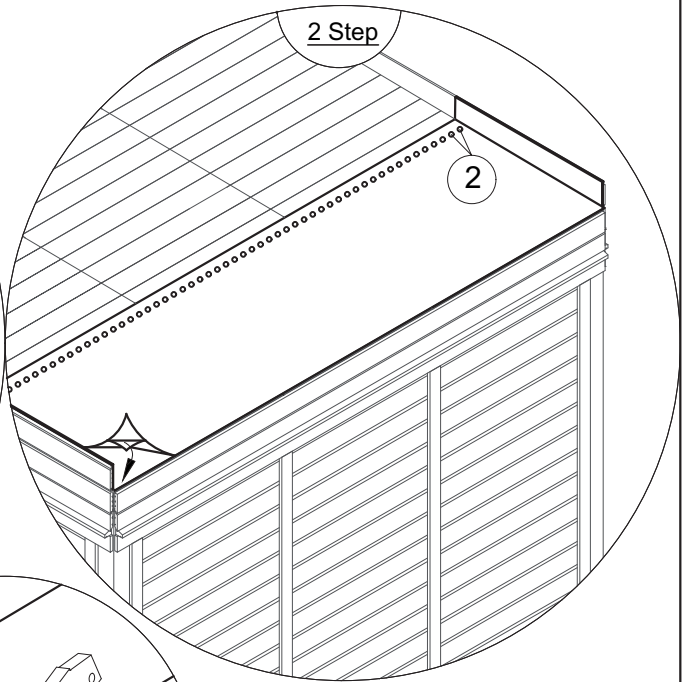
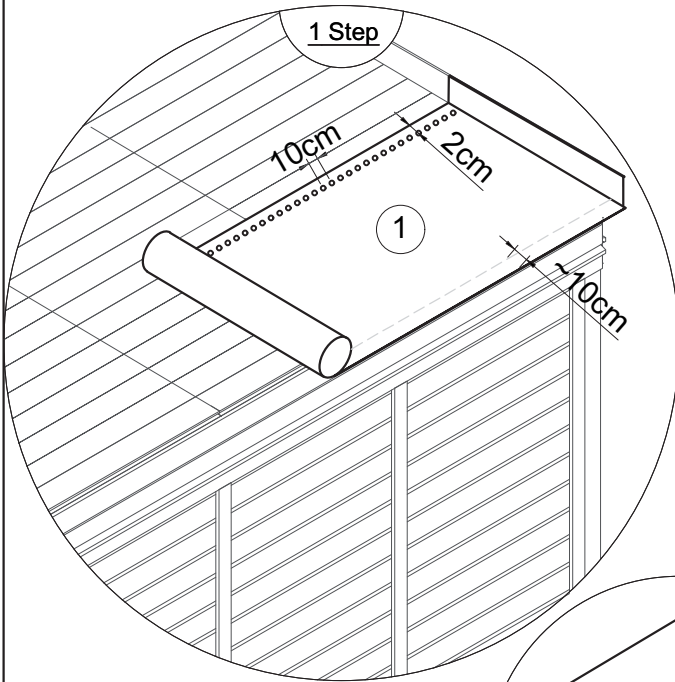


1

Mid-limp3x500x5000-(2x2-3Pcs.)
or
Mid-limp3x500x5000-(2x3-5Pcs.)
or
Mid-limp3x500x5000-(2x4-6Pcs.)

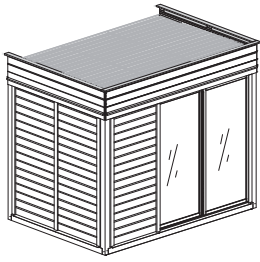
2 x330

T-V-2x20



11.4 Cube-Garden Cube 2x2/2x3/2x4 END OF ROOF FINISH

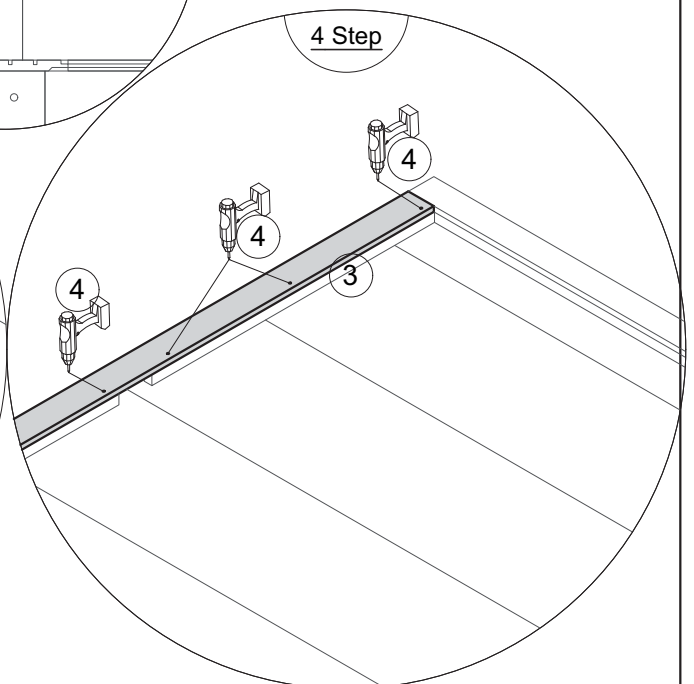
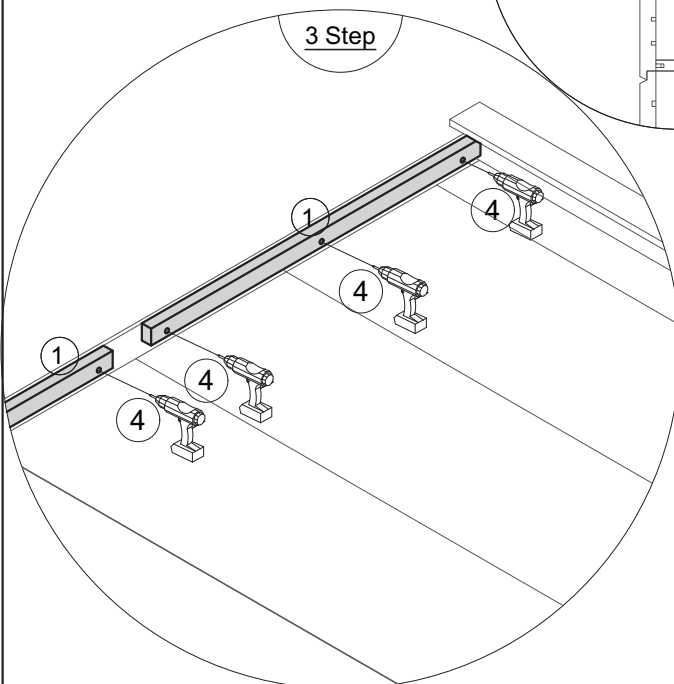
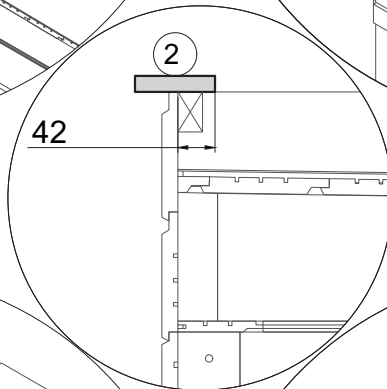
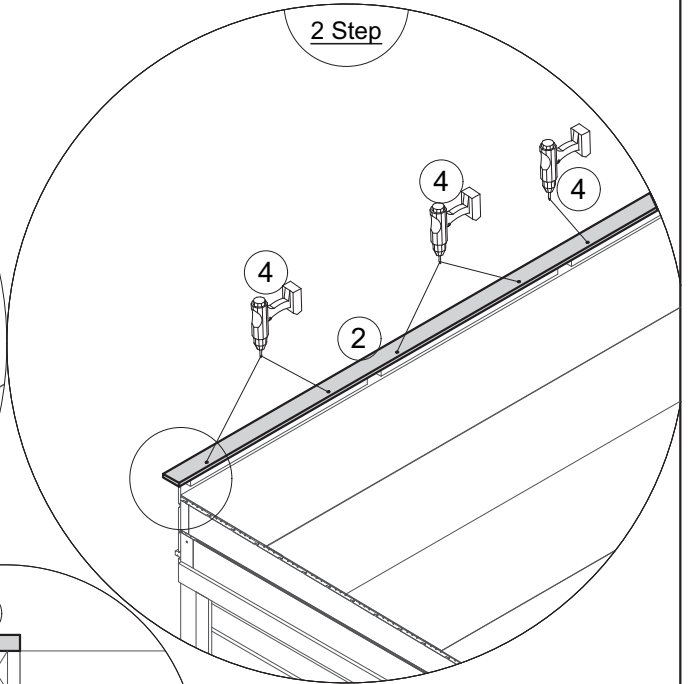
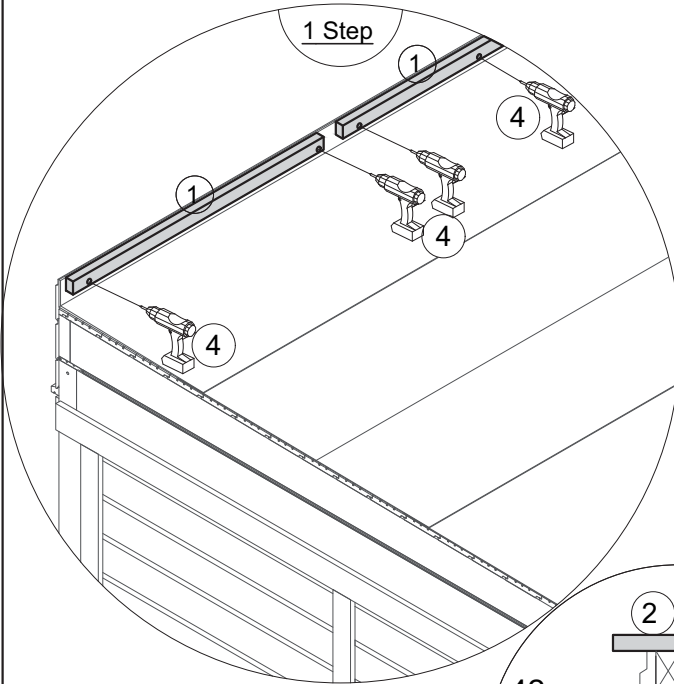
④ x32
T-GC-3.5x45



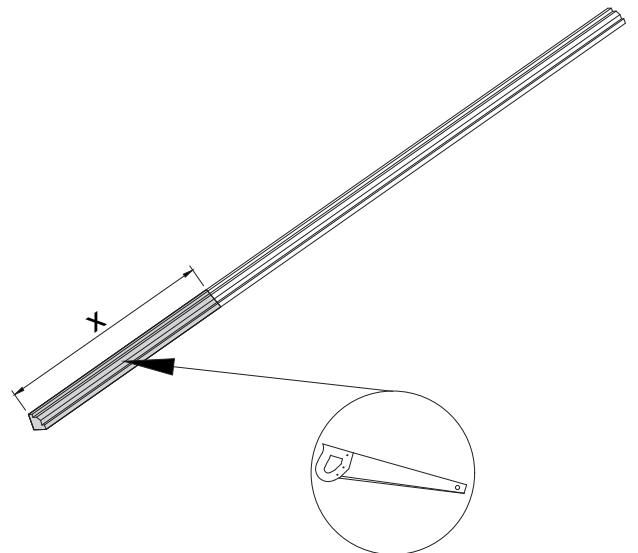
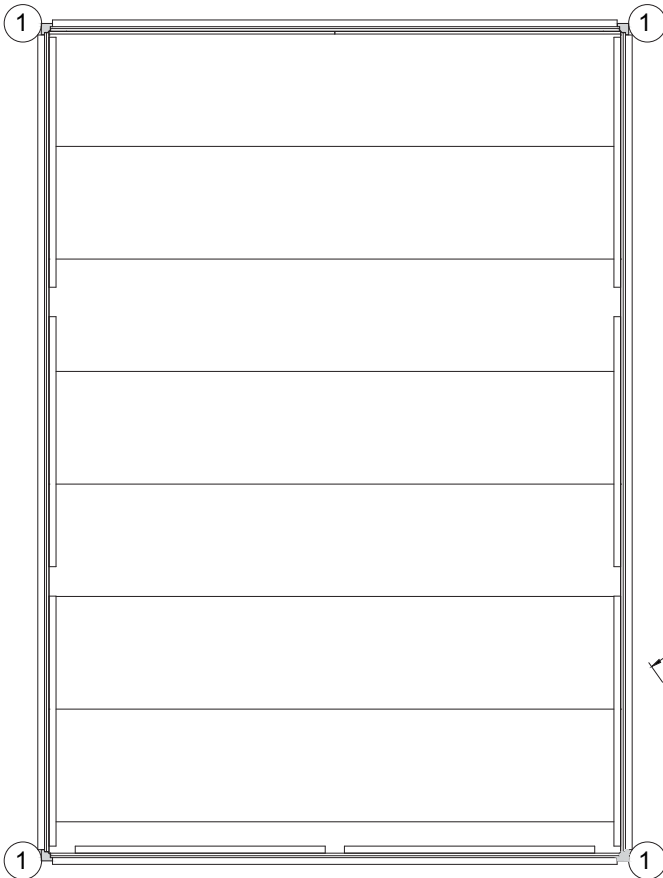
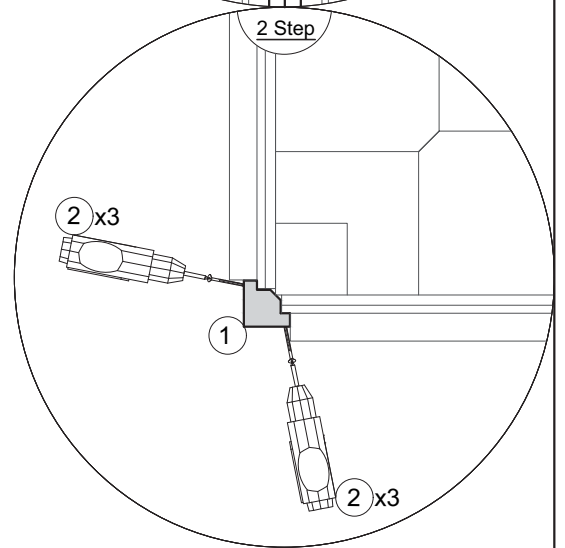
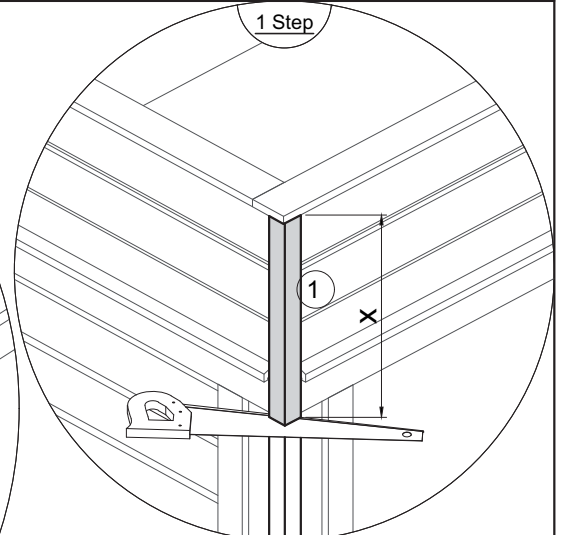
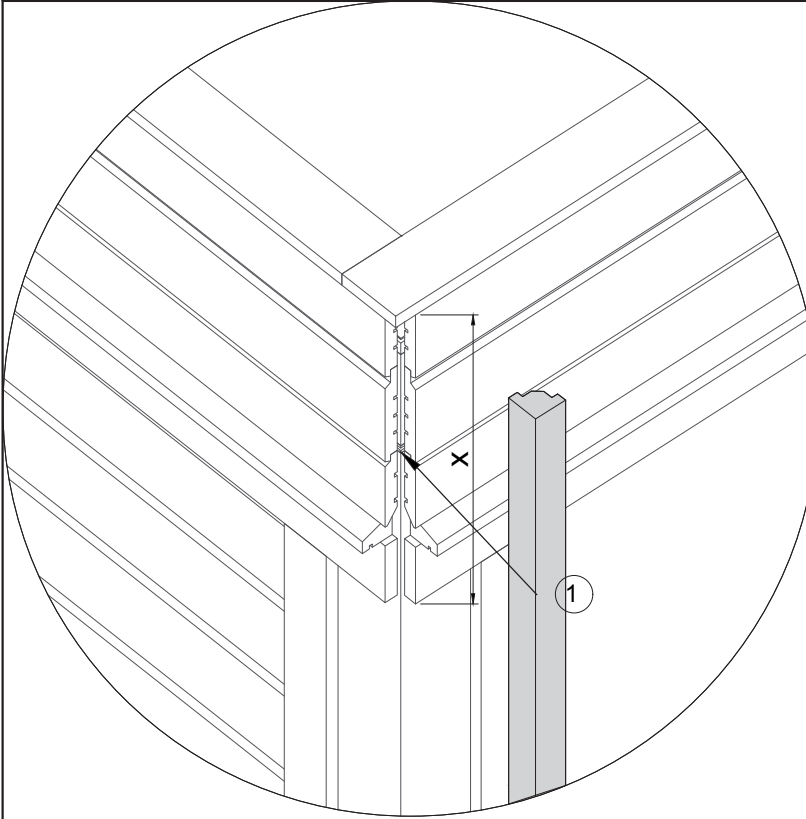
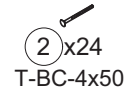
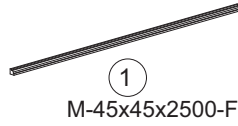
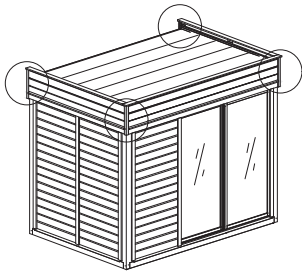
①
M-28x45x1000(2x2-6Pcs.)
or
M-28x45x1000(2x3-7Pcs.)
or
M-28x45x1000(2x4-8Pcs.)

②
M-18x90x2388-F(2x2-1Pcs.)
or
M-18x90x3388-F(2x3-1Pcs.)
or
M-18x90x4388-F(2x4-1Pcs.)

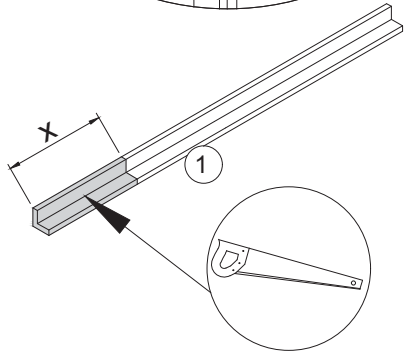
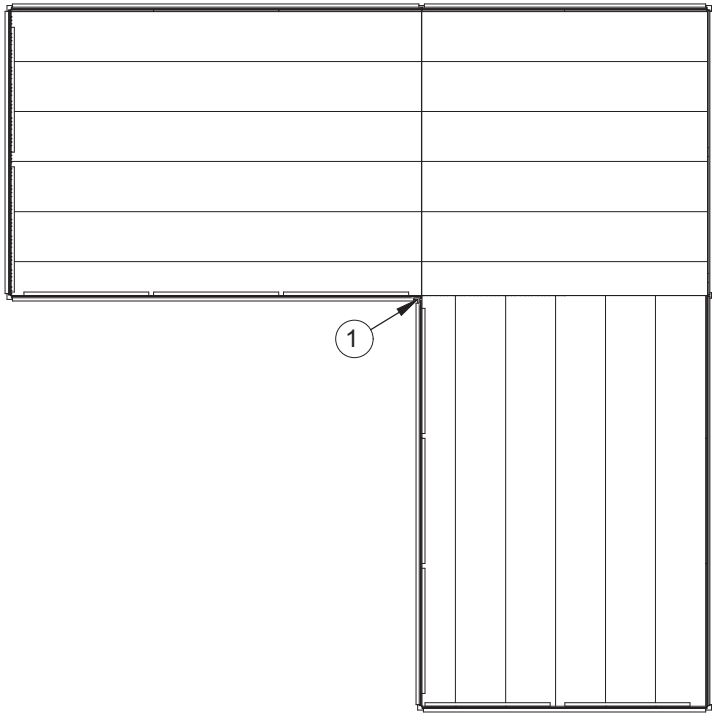
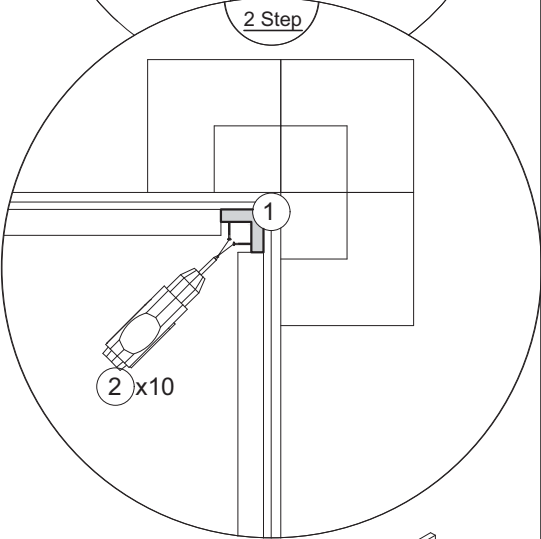
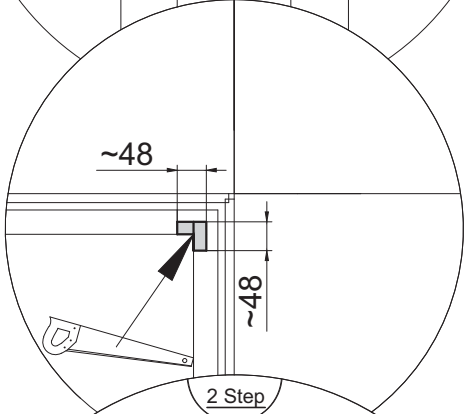
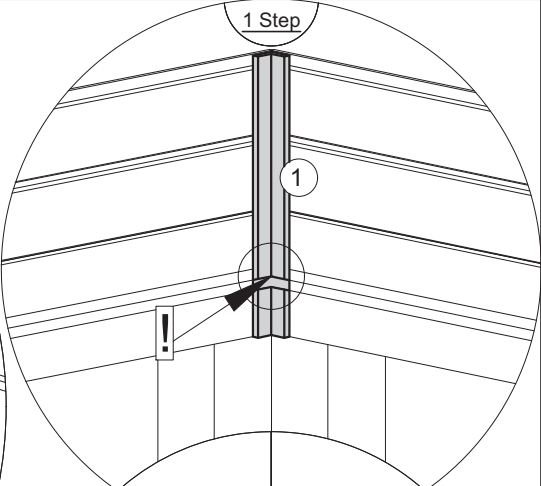
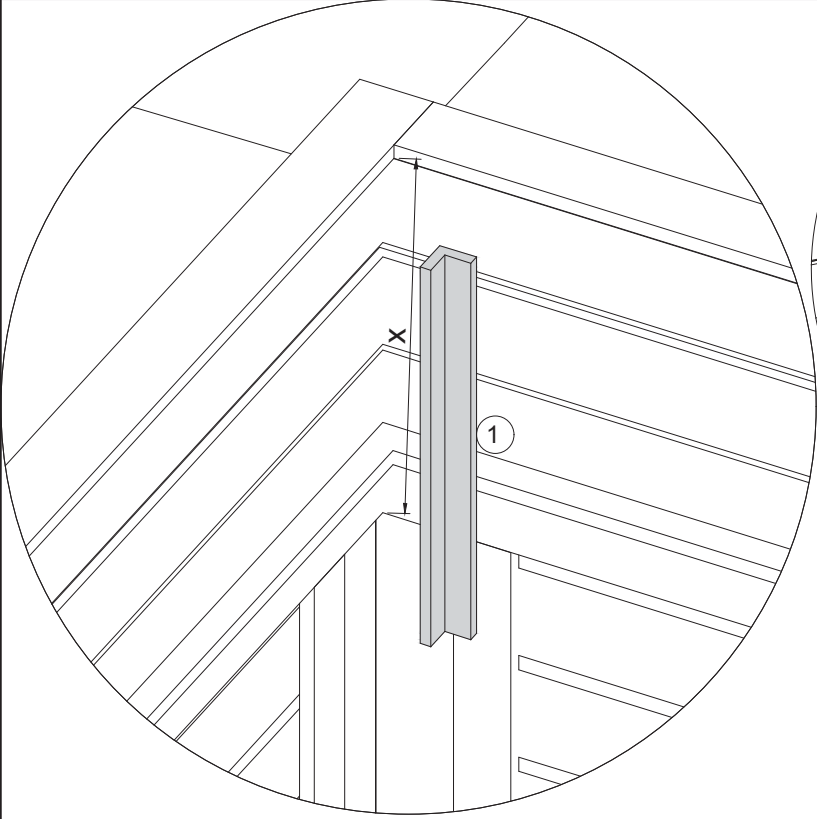
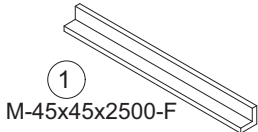
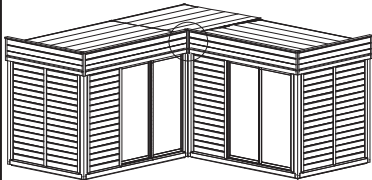
③
M-18x90x2274-F(2x2-2Pcs.)
or
M-18x90x2274-F(2x3-2Pcs.)
or
M-18x90x2274-F(2x4-2Pcs.)



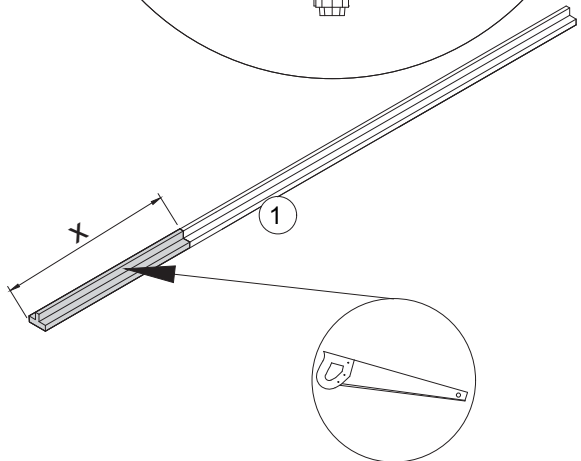
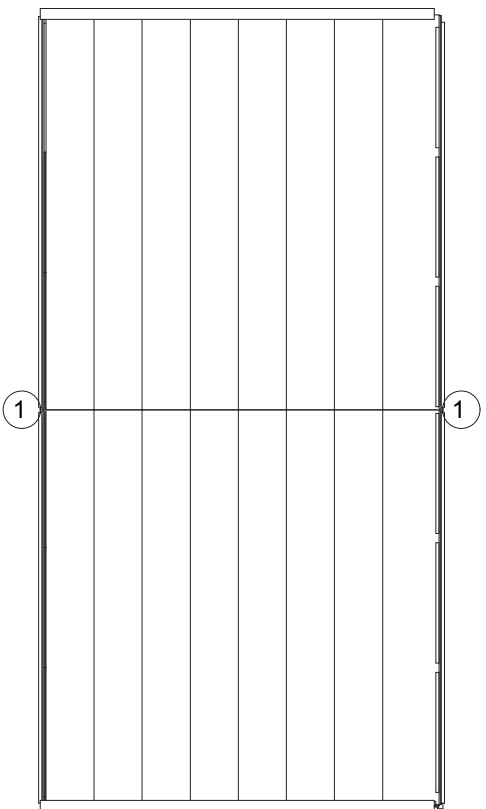
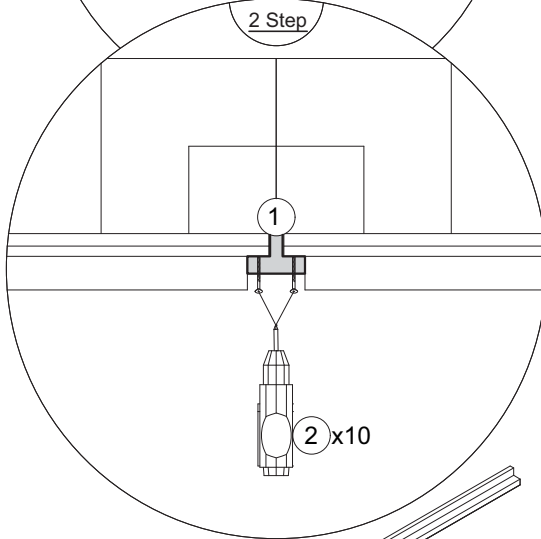
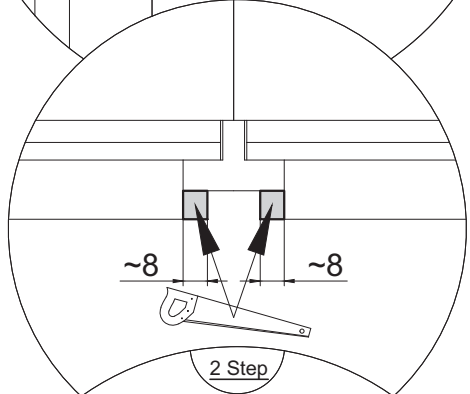
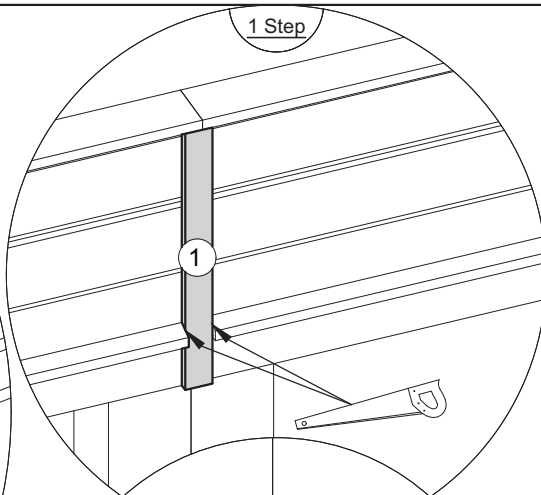
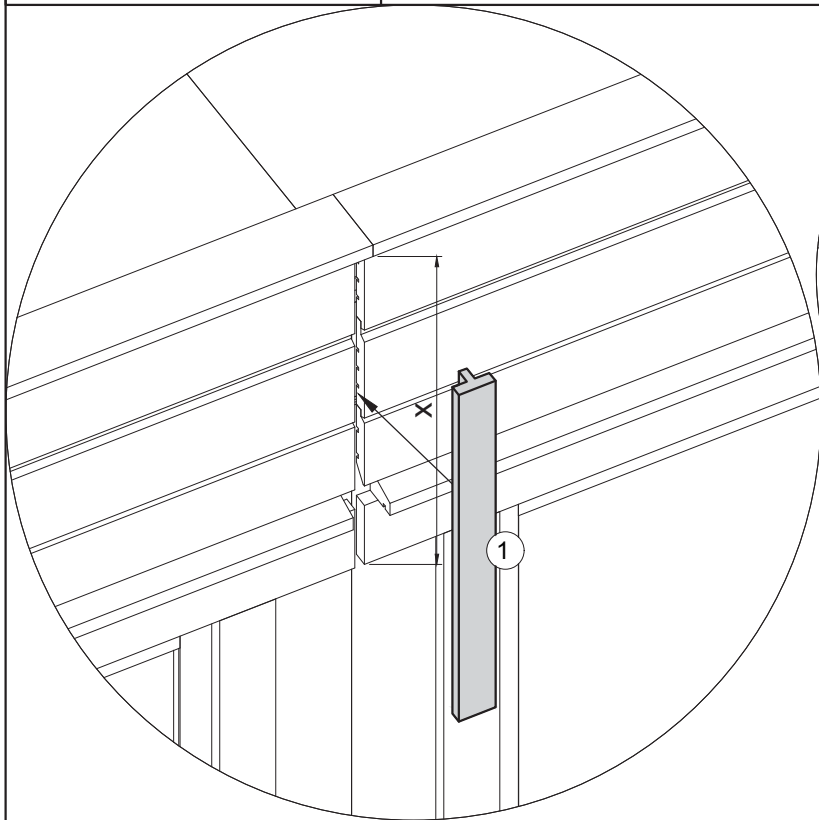
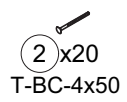
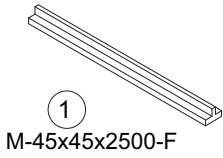
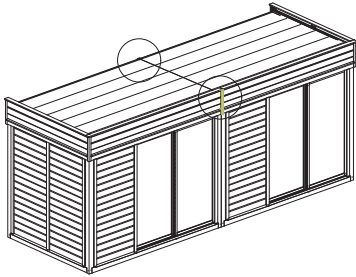
11.5 Cube-Garden Cube 2x2/2x3/2x4 END OF ROOF FINISH

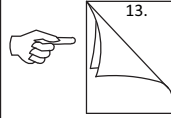
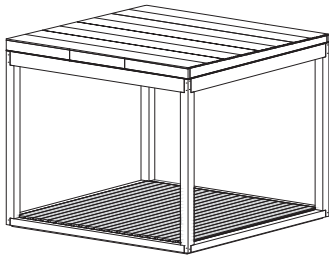


11.6 Cube-Garden Cube 2x2/2x3/2x4 CONNECTED CUBE DETAILS



11.7 Cube-Garden Cube 2x2/2x3/2x4 CONNECTED CUBE DETAILS





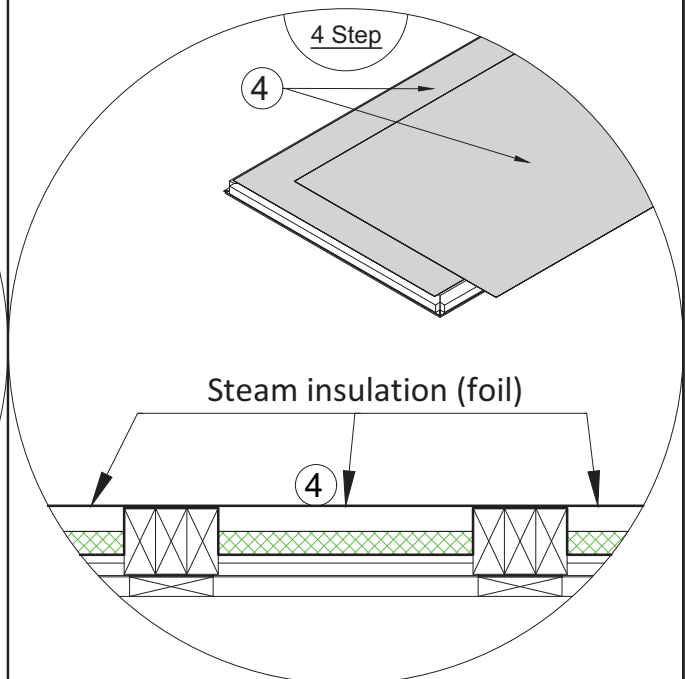
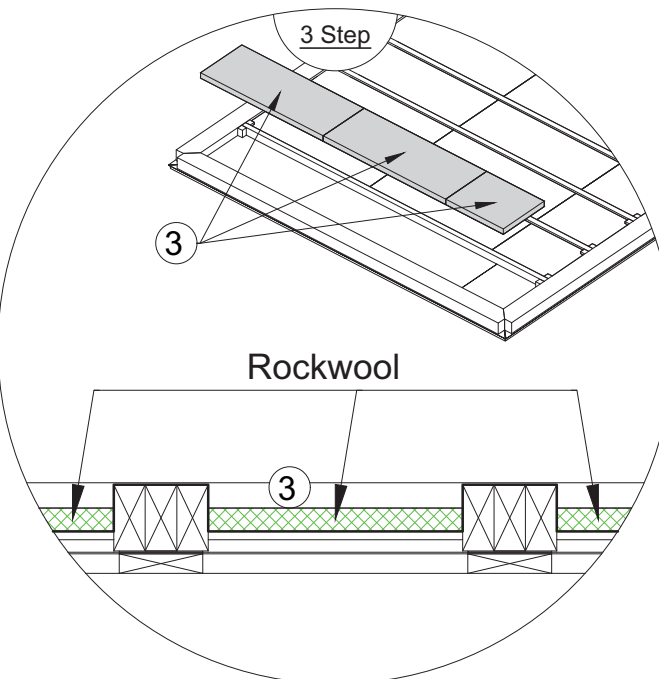
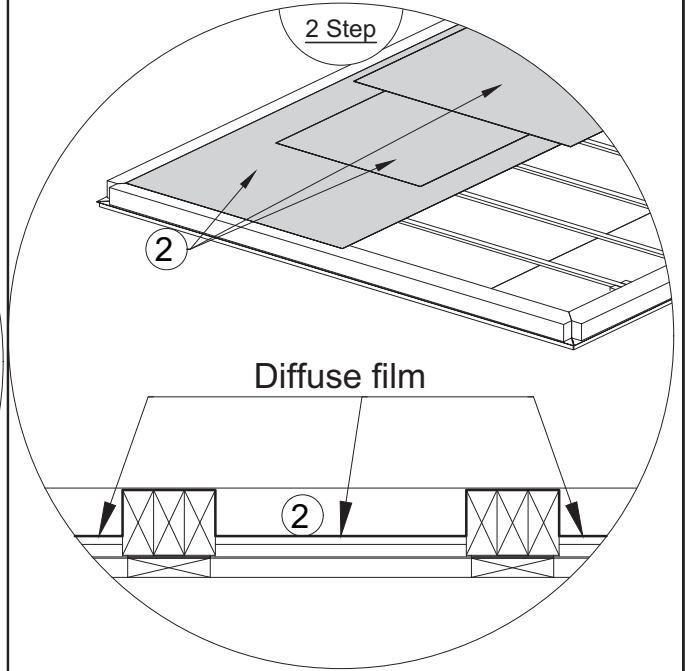
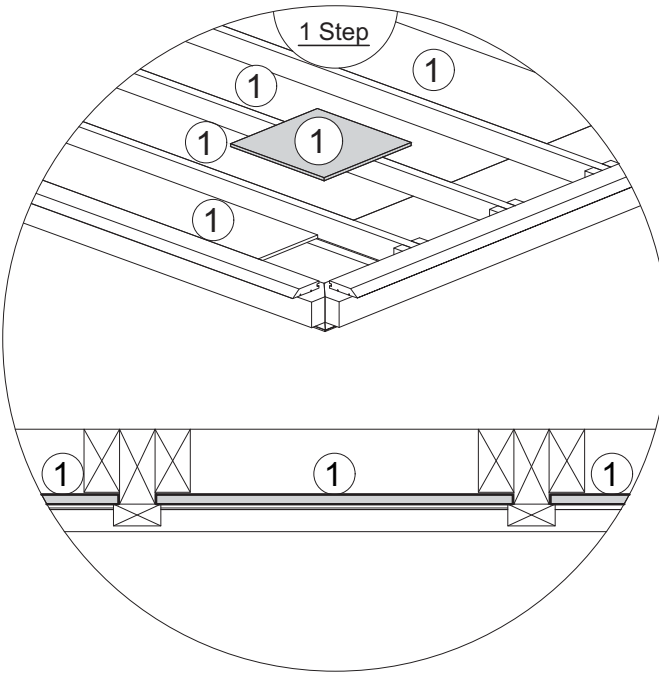
12. Cube-Garden Cube 2x2/2x3/2x4 INSULATED FLOOR ASSEMBLY

①
OSB-12x450x1960-F(2x2-4Pcs.)
or
OSB-12x450x2500-F(2x3-4Pcs.)
OSB-12x450x460-F(2x3-4Pcs.)
or
OSB-12x450x2500-F(2x4-4Pcs.)
OSB-12x450x1460-F(2x4-4Pcs.)

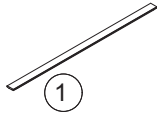
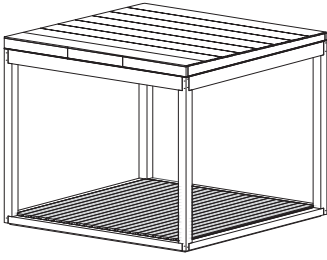
② Diffuse film-(2x2-9m²)
(2x3-12m²)
(2x4-16,5m²)

③ Rockwool-(2x2-5,76m²)
(2x3-8,64m²)
(2x4-10,08m²)

④ Steam insulation (foil)-(2x2-7,5m²)
(2x3-10,5m²)
(2x4-13,5m²)



13. Cube-Garden Cube 2x2/2x3/2x4 FLOOR

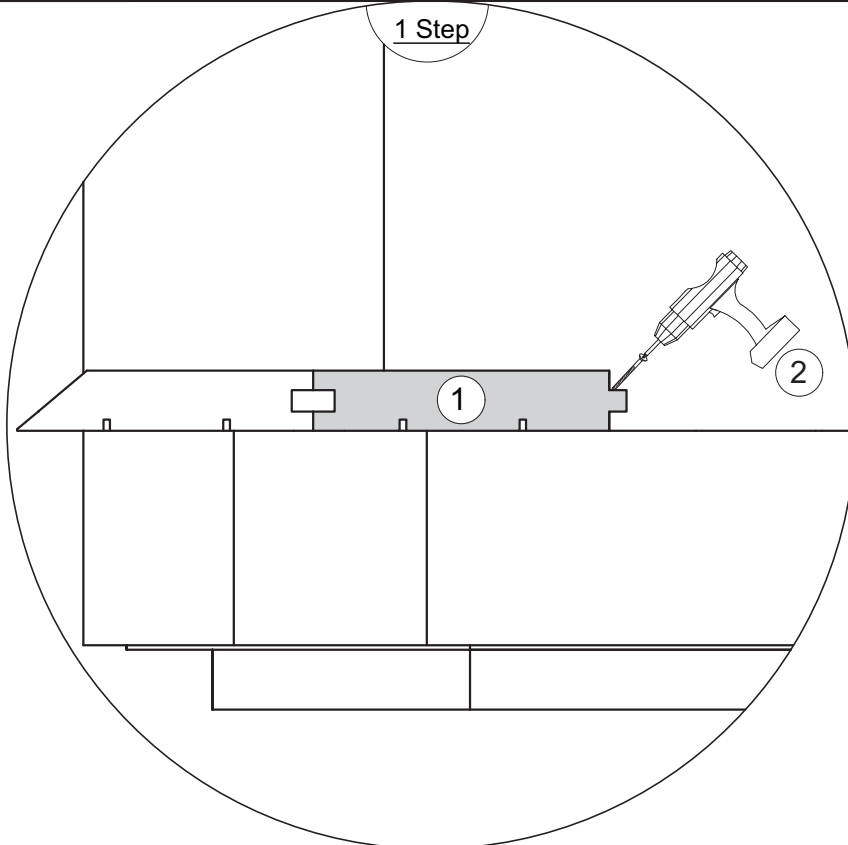


Spunt-28x145x3045(2x2-17Pcs.)
or
Spunt-28x145x3045(2x3-22Pcs.)
or
Spunt-28x145x3045(2x4-30Pcs.)

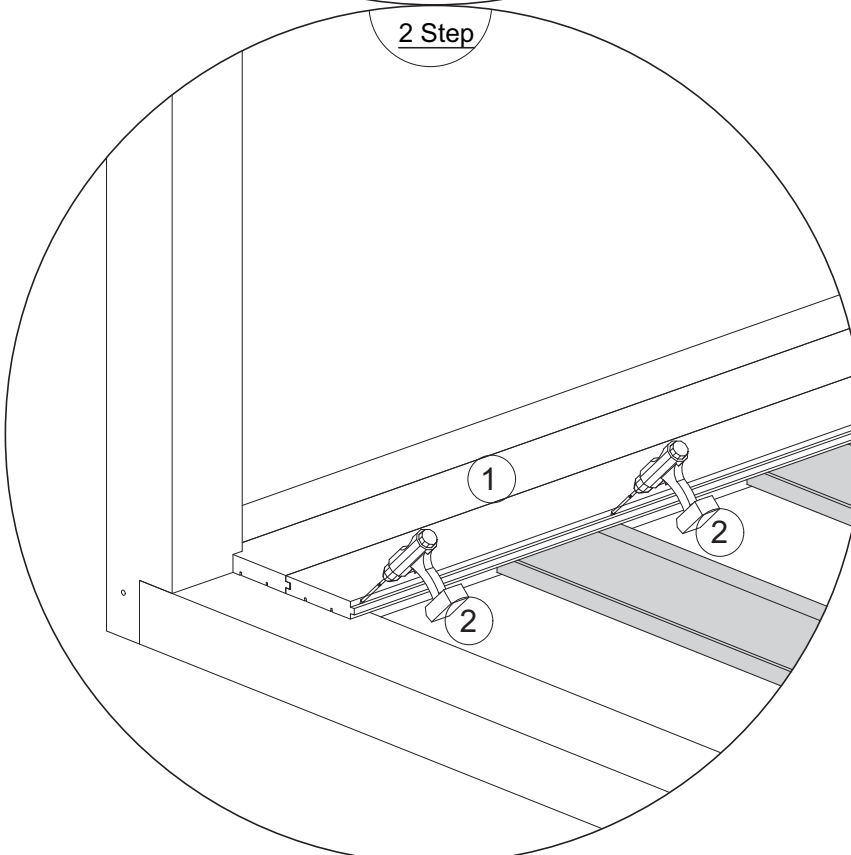


T-GC-3.5x45(3x2-85Pcs.)
or
T-GC-3.5x45(3x3-154Pcs.)
or
T-GC-3.5x45(3x4-210Pcs.)

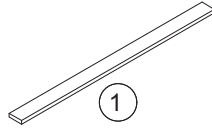
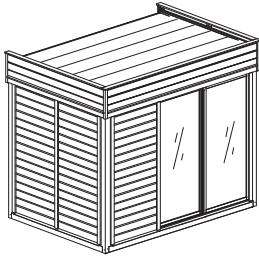
1 Step



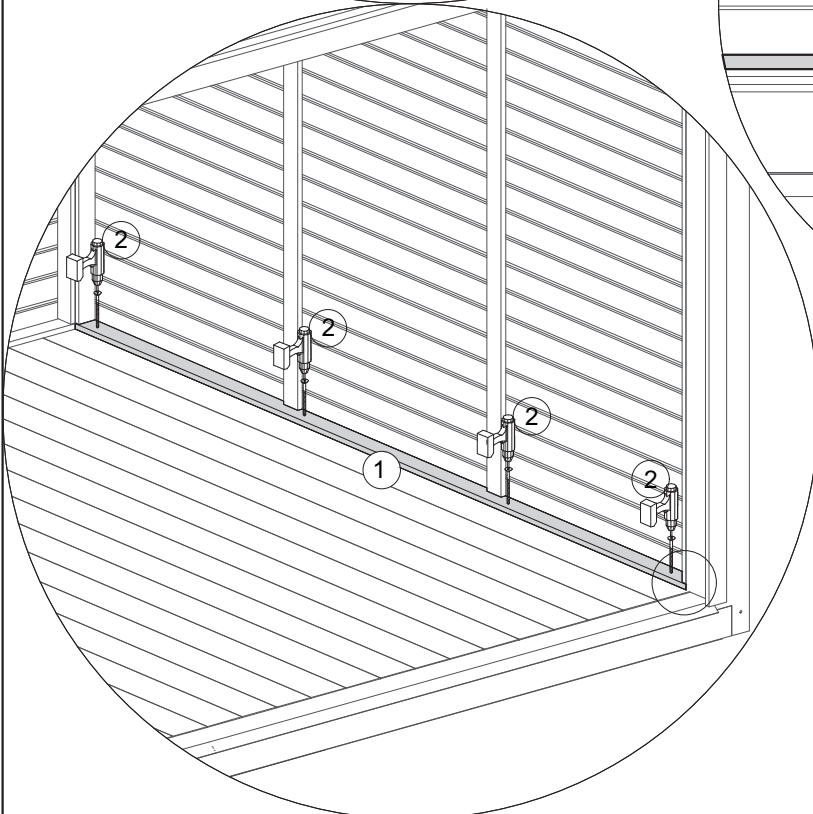
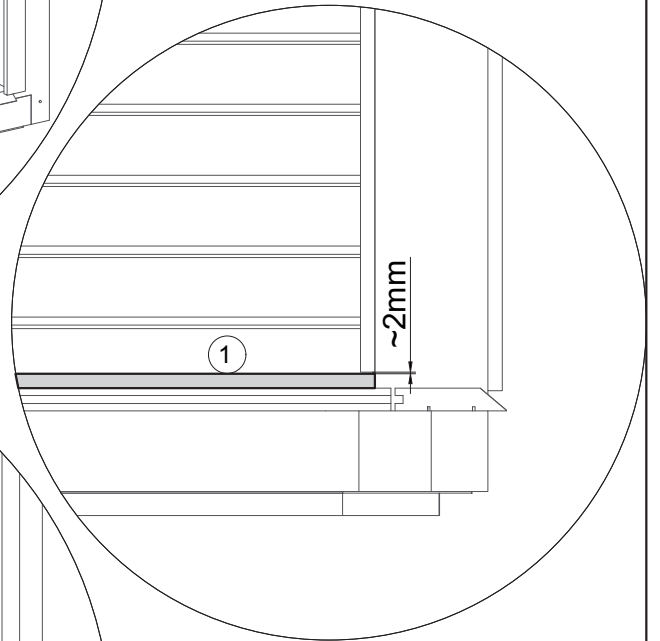
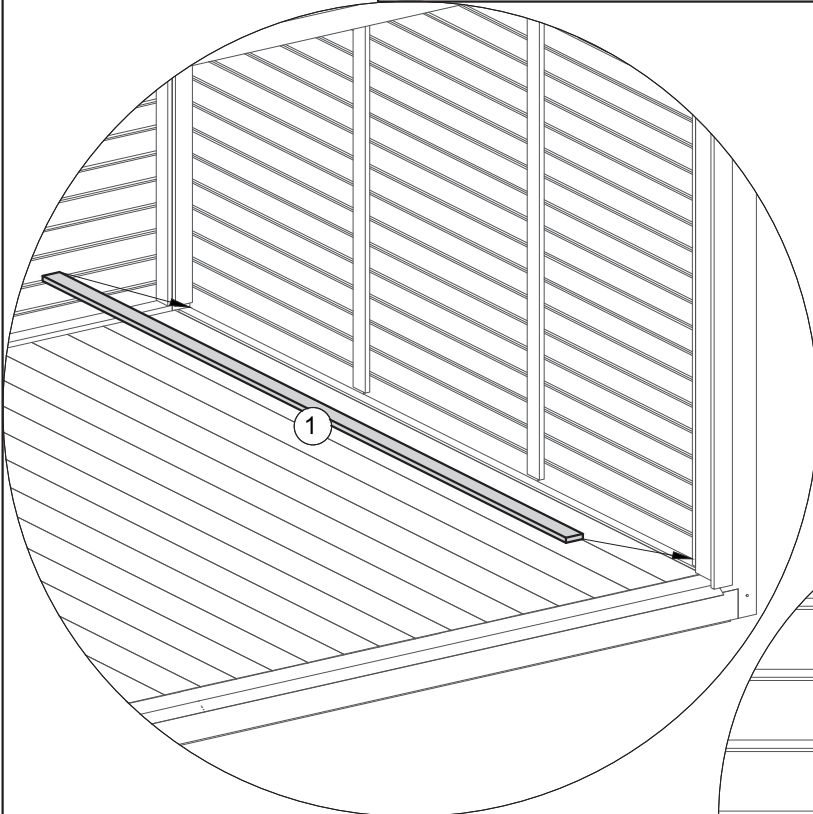
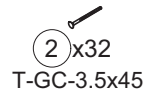
2 Step

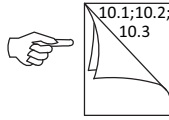
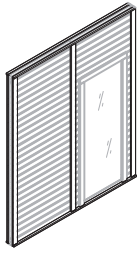


14. Cube-Garden Cube 2x2/2x3/2x4 INSIDE WALLS AND WINDOWS SUPPORTS



M-18x100x2004(2x2-4Pcs.)
or
M-18x100x2004(2x3-2Pcs.)
M-18x100x3004(2x3-2Pcs.)
or
M-18x100x2004(2x4-2Pcs.)
M-18x100x4004(2x4-2Pcs.)





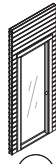
15. Cube-Garden Cube 2x2/2x3/2x4 INTERNAL PARTITIONS



1

C-PUS00075-II
or
OTHER

OR



2

C-PUS00103-IIIIH
or
OTHER



3 x2

M-18x30x3100



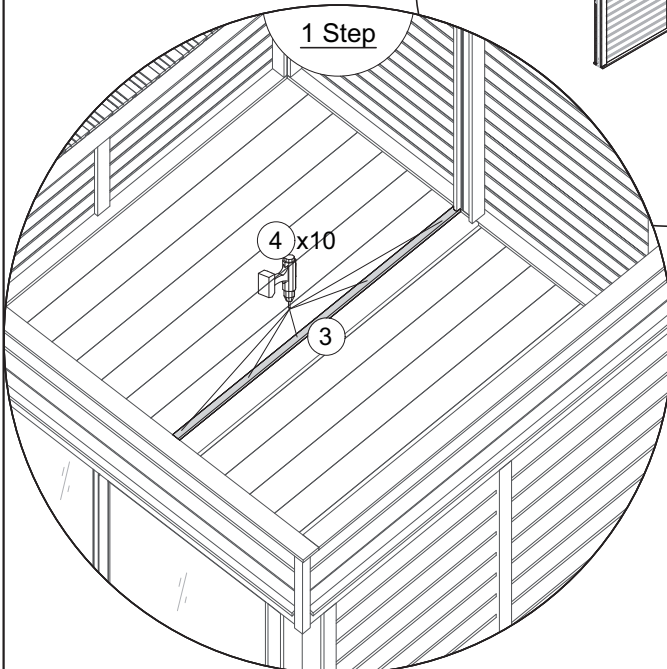
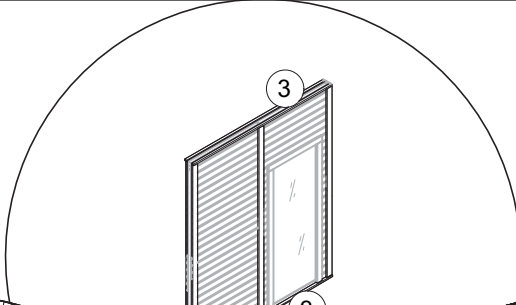
4 x20

T-GC-3.5x45

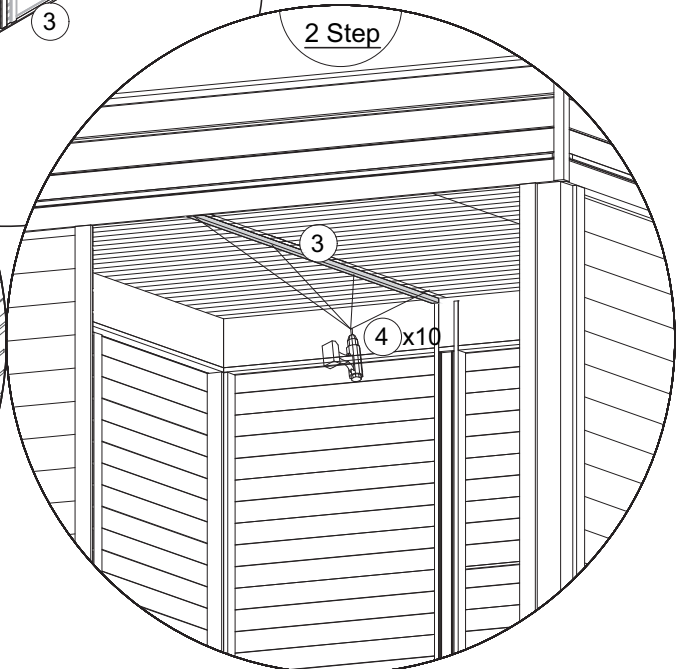


5 x6

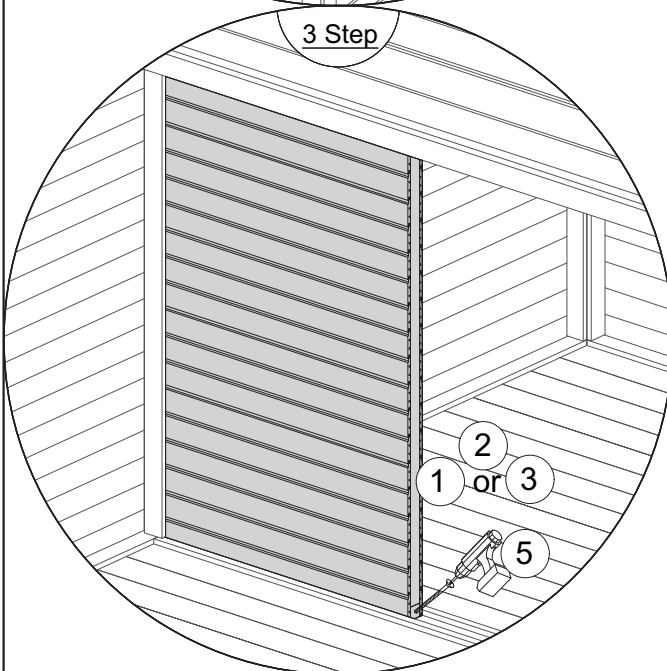
T-BC-4x70



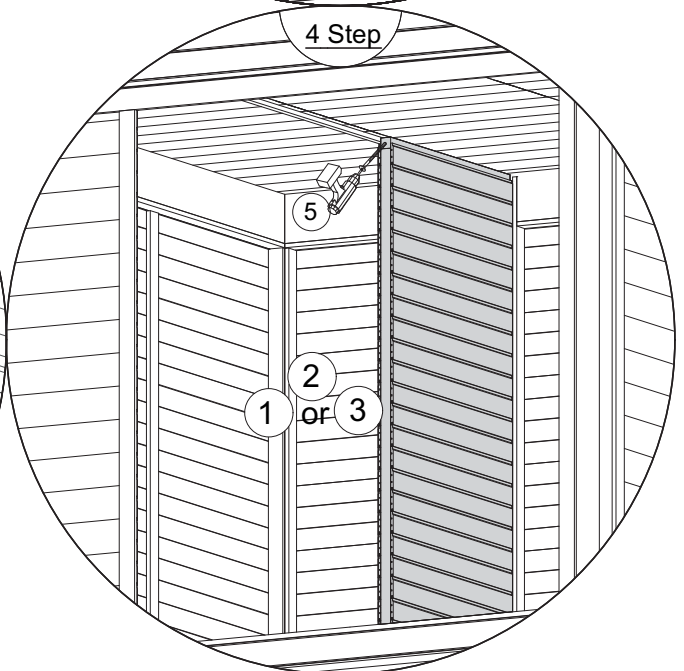
1 Step



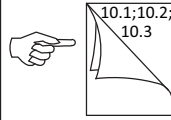
2 Step



3 Step



4 Step



15.1 Cube-Garden Cube 2x2/2x3/2x4 INTERNAL PARTITIONS



①

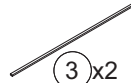
C-PUS00075-II
or
OTHER

OR



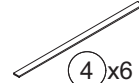
②

C-PUS00103-IIIIH
or
OTHER



③ x2

M-18x30x3100



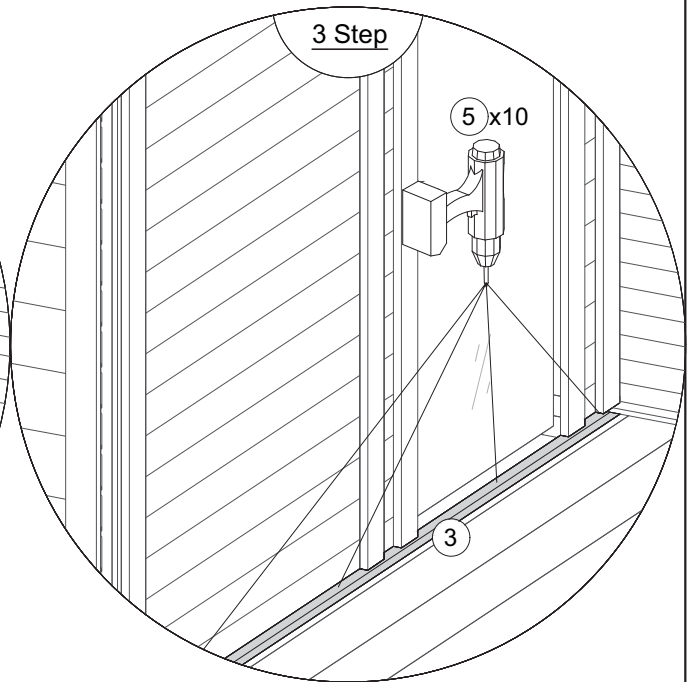
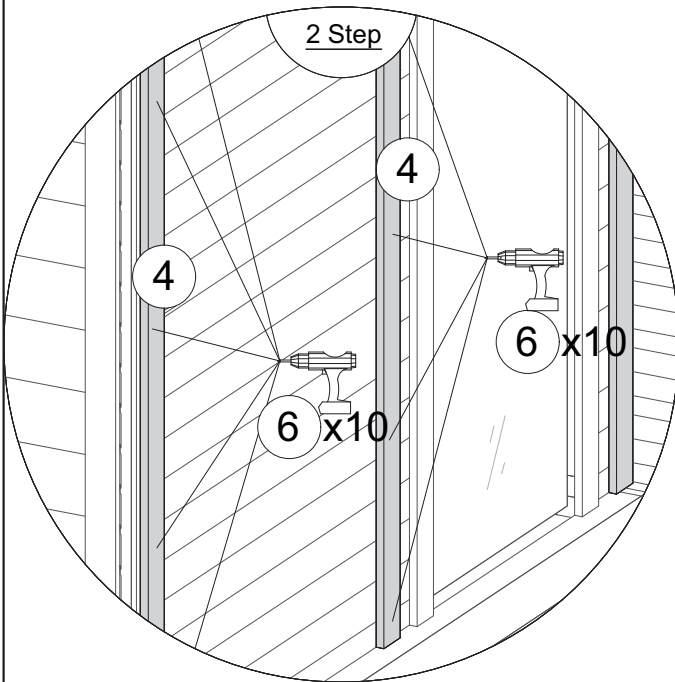
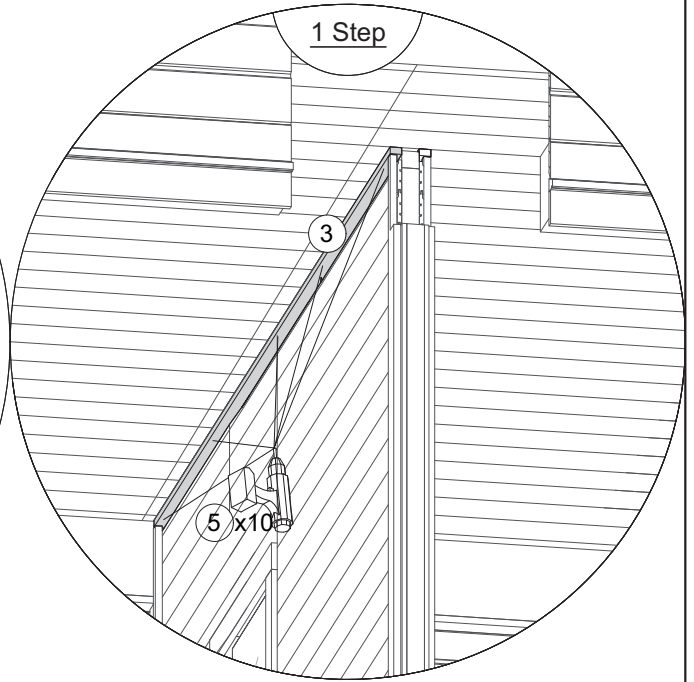
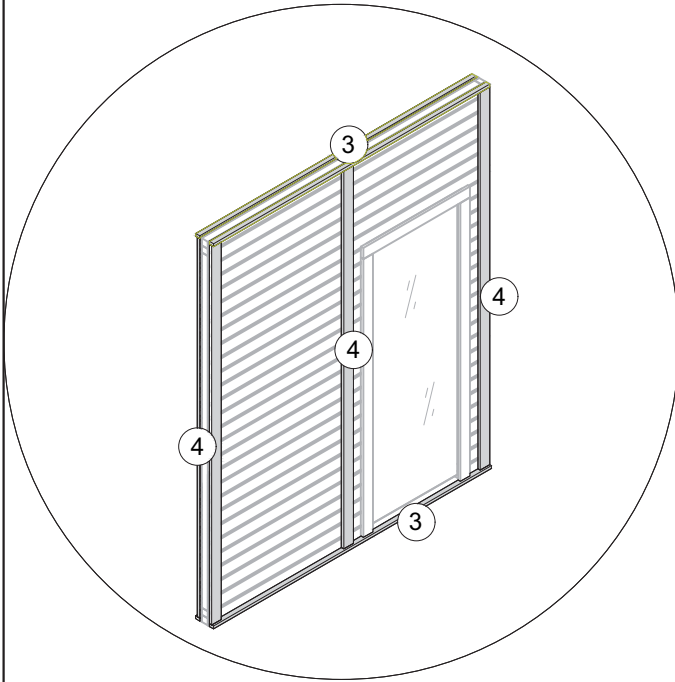
④ x6

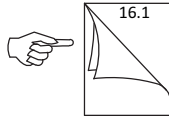
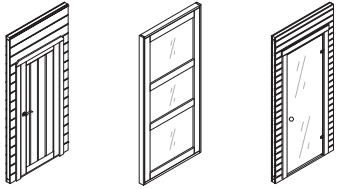
M-18x70x2364



⑤ x100

T-GC-3.5x45





16. Cube-Garden Cube 2x2/2x3/2x4 DOOR ASSEMBLY



Stakta-65x690x1850
or
Stakta-70x700x1760
or
Stakta-70x990x2200
or
OTHER

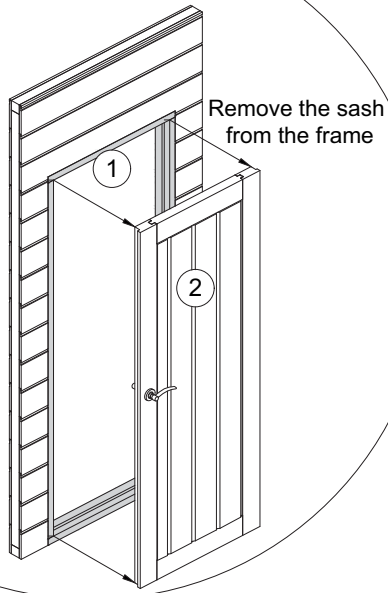


Varcia-6x620x1770
or
Varcia-45x659x1700
or
Varcia-45x946x2135
or
OTHER

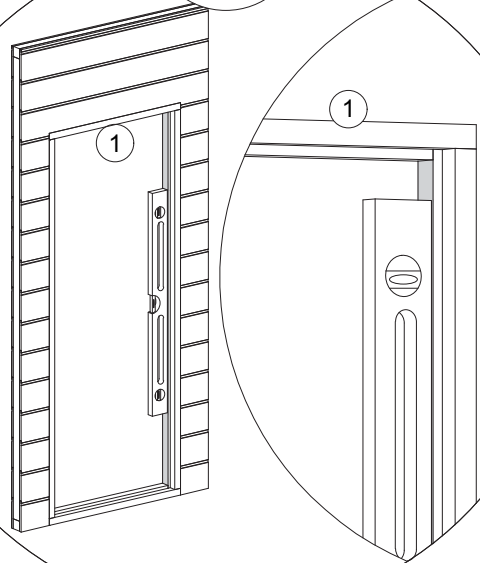


T-BC-4x70

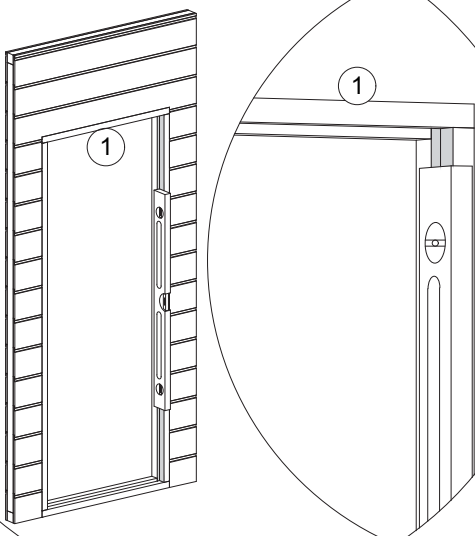
1 Step



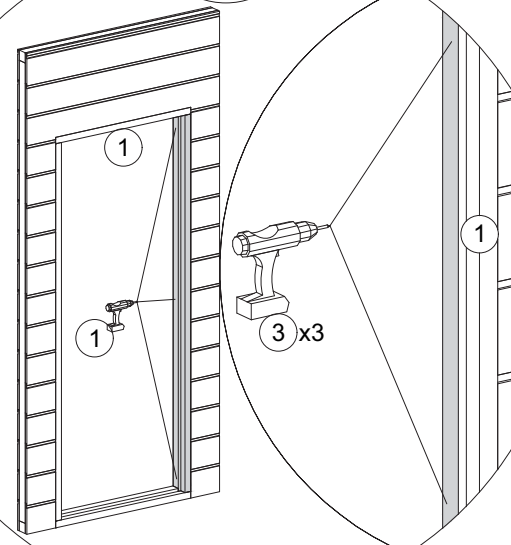
2 Step



3 Step





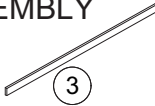
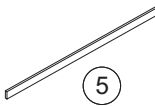

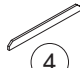
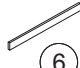

4 Step



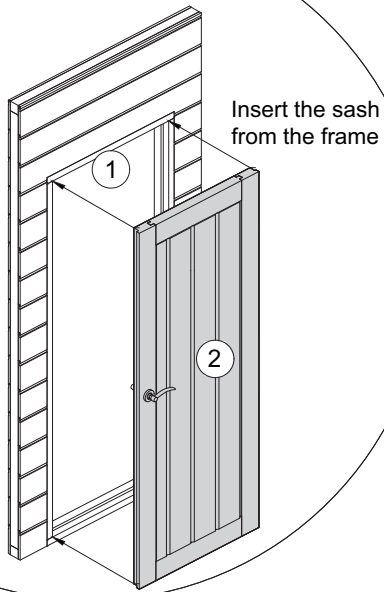
16.1 Cube-Garden Cube 2x2/2x3/2x4 DOOR ASSEMBLY



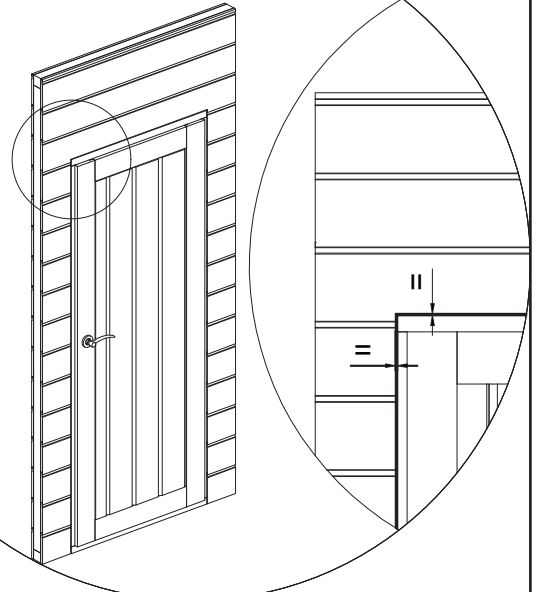
- | | |
|---|---|
| 
1 | 
2 |
| Stakta-65x690x1850
or
Stakta-70x700x1760
or
Stakta-70x990x2200
or
OTHER | Varcia-6x620x1770
or
Varcia-45x659x1700
or
Varcia-45x946x2135
or
OTHER |

- | | | |
|--|---|--|
| 
3
M-18x70x1695 | 
5
M-18x70x1825 | 
7 x20
T-GC-3.5x45 |
| 
4
M-18x70x810-F | 
6
M-18x70x795 | 
8 x3
T-BC-4x70 |

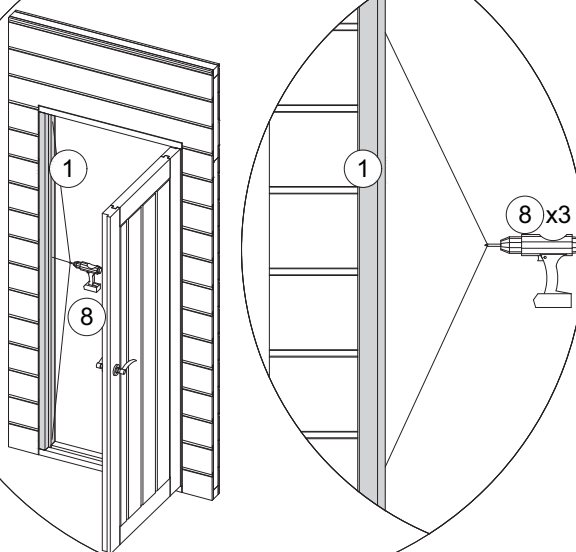
1 Step



2 Step



3 Step



4 Step

